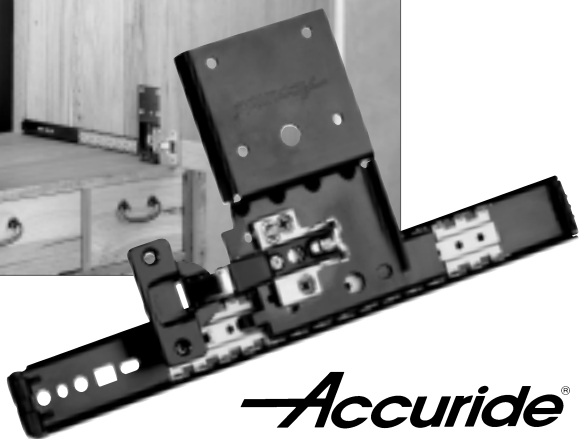


Flipper Door Reference Guide 123



Accuride[®]

123

FACE FRAME OVERLAY DOOR

Mounting Details

Door Thickness	3/4" [19.0]
Door Clearance	1/32" [0.8]
Tab Distance	5/16" [8.0]
Minimum Pocket	2.00" [50.8]
Overlay Amount	3/8" [9.5]

Hinge Information

Manufacturer	Salice
Hinge Cup	35mm
Hinge Part #	C2P7G33
Base Plate #	BAR3P39
Accuride Kit #	4180-0391-XE

Helpful Hints

- Slide set back 1/16" plus face frame thickness
- Hinge base plate moved forward to face frame holes
- Dimensions given are with the hinge unadjusted

Alternate Hinge Options

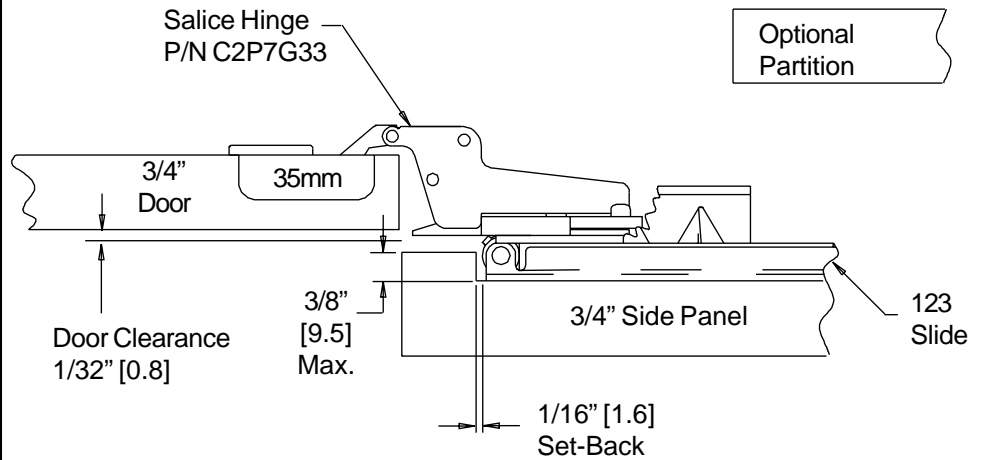
Manufacturer	Salice
Hinge Part #	C2P7G99
Base Plate #	BAR3P39

Manufacturer	Mepla
Hinge Part #	DS 05 253 S/08
Base Plate #	DS7250ES37/00

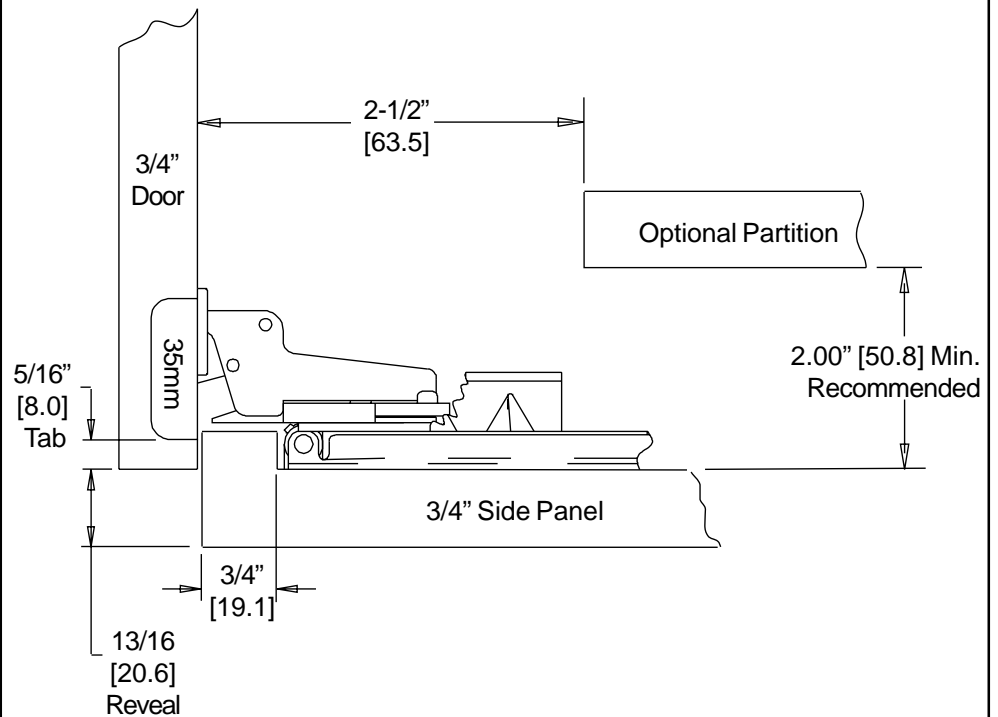
Manufacturer	Blum
Hinge Part #	71M9650
Base Part #	175H9100

NOTE: Overlay amount and clearances change with the use of alternate hinges. Refer to Accuride installation sheet for details.

Door In The Open Position



Door In The Closed Position



123

FLUSH INSET DOOR

Mounting Details

Door Thickness	3/4" [19.0]
Door Clearance	1/32" [0.8]
Tab Distance	5/16" [8.0]
Minimum Pocket	2.00" [50.8]
Gap	1/32" [0.8]

Hinge Information

Manufacturer	Salice
Hinge Cup	35mm
Hinge Part #	C2P7G33
Base Plate #	BAR3P39
Accuride Kit #	4180-0391-XE

Helpful Hints

- Dimensions given are with the hinge unadjusted

Alternate Hinge Options

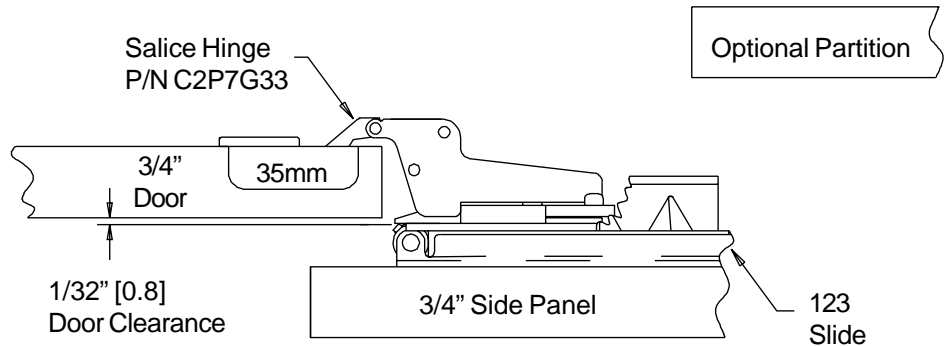
Manufacturer	Salice
Hinge Part #	C2P7G99
Base Plate #	BAR3P39

Manufacturer	Mepla
Hinge Part #	DS 05 253 S/08
Base Plate #	DS7250ES37/00

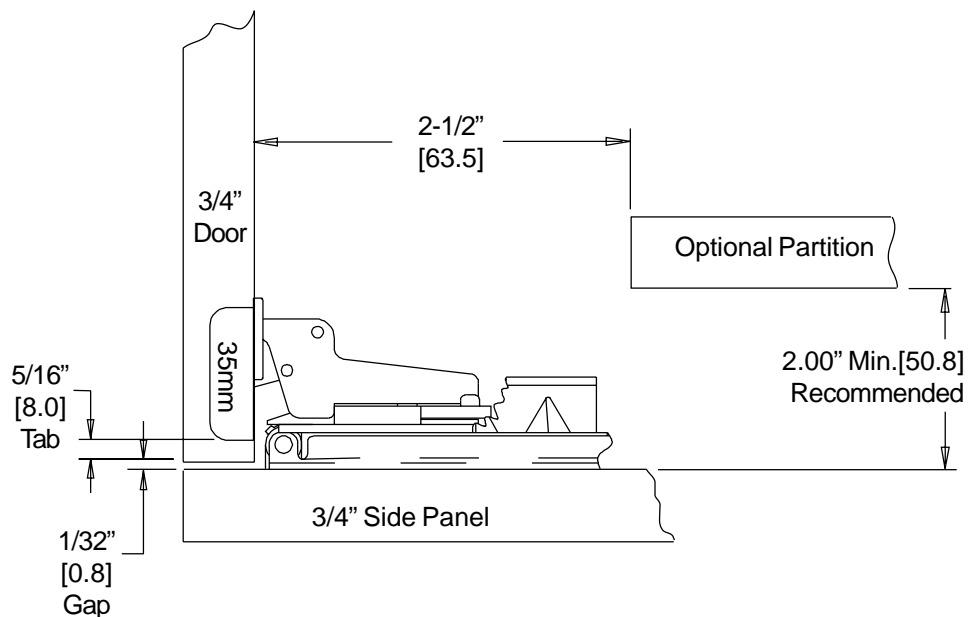
Manufacturer	Blum
Hinge Part #	71M9650
Base Part #	175H9100

NOTE: Overlay amount and clearances change with use of alternate hinges. Refer to Accuride installation sheet for details.

Door In The Open Position



Door In The Closed Position



123

OVERLAY DOOR

Mounting Details

Door Thickness	3/4" [19.0]
Door Clearance	5/64" [2.0]
Overlay Amount	7/16" [11.1]
Tab Distance	19/32" 15.0]
Minimum Pocket	2-1/4" [57.2]
Reveal	5/16" [8.0]

Hinge Information

Manufacturer	Salice
Hinge Cup	40mm
Hinge Part #	CFA7G99
Base Plate #	BAR3P09
Accuride Kit #	4180-0314-CE

Helpful Hints

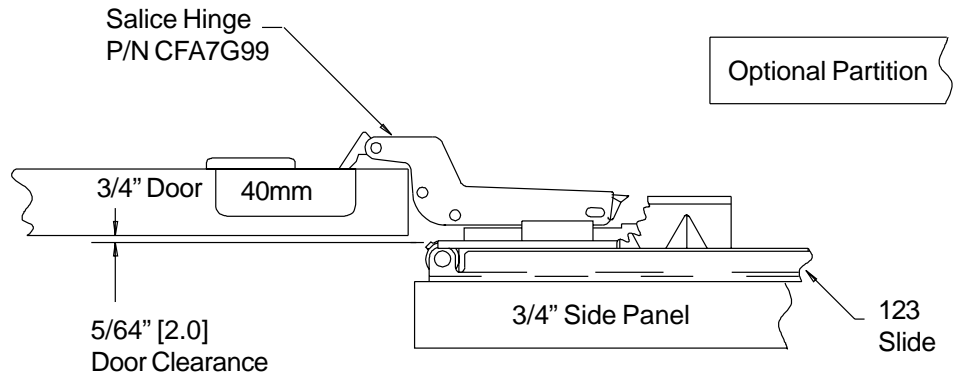
- Dimensions given are with the hinge unadjusted

Alternate Hinge Options

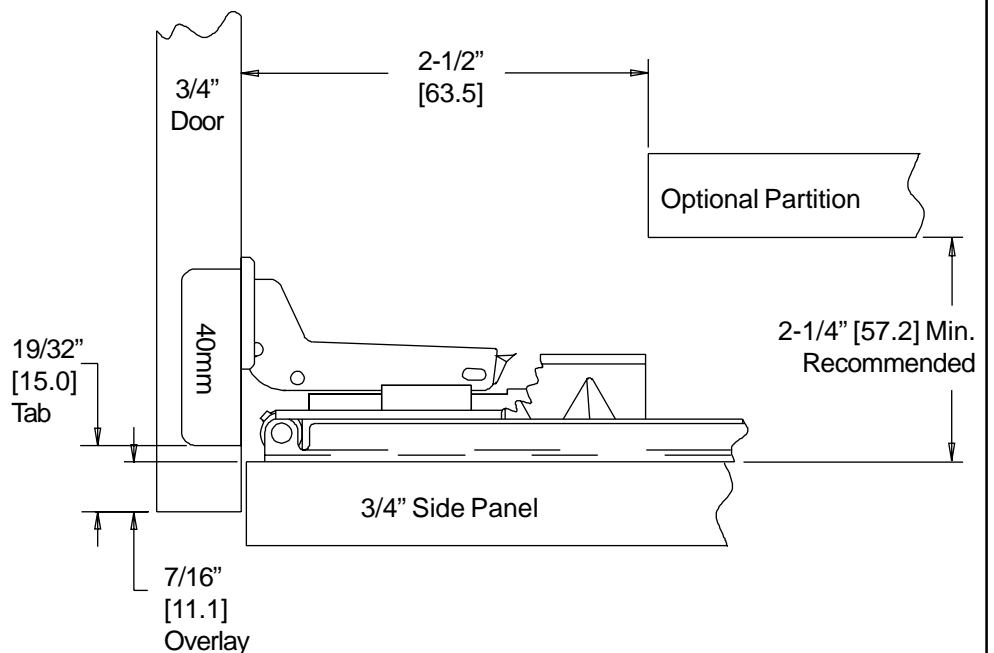
Manufacturer	Mepla
Hinge Part #	DS25 253S 08
Base Plate #	DS7250ES37/00

NOTE: Overlay amount and clearances change with the use of alternate hinges. Refer to Accuride installation sheet for details.

Door In The Open Position



Door In The Closed Position



Accuride[®]

123

THICK DOOR

Mounting Details

Door Thickness	1-1/4" [31.8]
Door Clearance	*1/32" [0.8]
Tab Distance	9/16" [14.0]
Minimum Pocket	2-1/2" [63.5]
Gap	1/32" [0.8]

* Requires hinge adjustment

Hinge Information

Manufacturer	Salice
Hinge Cup	40mm
Hinge Part #	CFA7P99
Base Plate #	BAR3P09
Accuride Kit #	4180-0313-XE

Helpful Hints

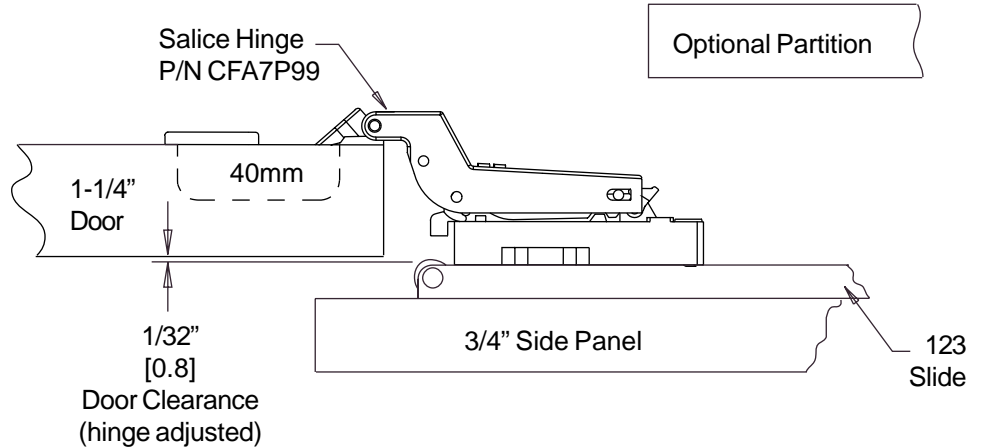
- Due to clearance, consider mortising cup into door

Alternate Hinge Options

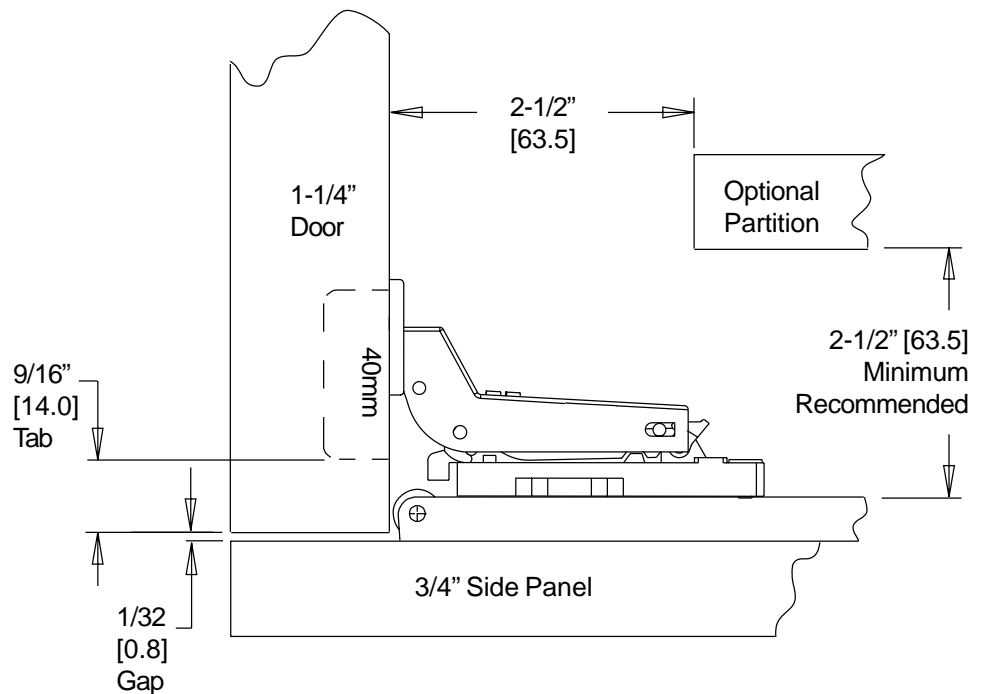
Manufacturer	Mepla
Hinge Part #	DS25-253-S/08
Base Plate #	DS7250ES37/00

Spacers required for doors 1" thick and over

Door In The Open Position



Door In The Closed Position



Accuride®