



Clamp mountings



Standard Machine Elements Worldwide



Clamp mountings



GN 473
Foot clamp mountings
Aluminium

page 5



GN 474
Two-way
clamp mountings
Aluminium

page 6



GN 475
Twistable two-way
clamp mountings
Aluminium

page 7



GN 476
T-Clamp mountings
Aluminium

page 8



GN 477
Clamp mountings
Aluminium

page 9



GN 478
Clamp mountings
Aluminium

page 10



GN 479
Sensor holders
Stainless Steel

page 11



GN 479.1
Retaining plates
Stainless Steel

page 12



GN 480
Flanged bolts
Steel

page 13



GN 480.1
Retaining rods
Retaining tubings
Stainless Steel

INOX
Stainless Steel

page 14



GN 480.1
Retaining
square tubings
Aluminium

page 15



GN 511
Clamping kits
Zinc alloy die cast
plastic coated

page 16

Range of clamp mountings

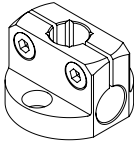
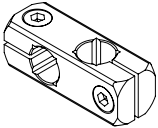
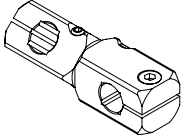
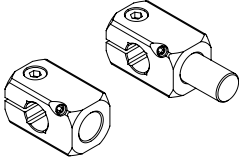
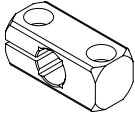
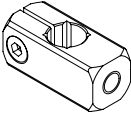
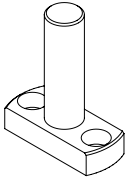
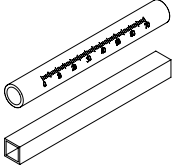
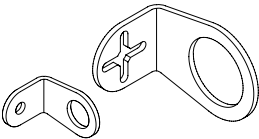
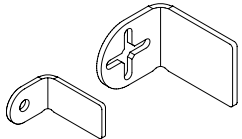
Clamp mountings in aluminium are construction elements for a wide variety of different uses. They are designed for positioning sensors, reflectors and similar elements and, owing to their many designs, variants and bore diameters, are true problem solvers in machine and jig construction.

These are precision elements made of high-tensile aluminium which guarantees ultimate clamping stability even when exposed to strong vibrations. The clamping mechanism is largely independent of temperature and environmental factors, requiring no post-adjustment.

For extreme requirements in terms of stability, square profile sections may be used which provide a form-locking effect against rotation and twisting. Foot clamp mountings GN 473, clamp mountings GN 477 and flanged bolts GN 480 can be mounted both on base plates and on aluminium profile sections.

Extras and accessories for the clamp mounting range include retaining rods /retaining tubings GN 480.1 (page 15), flanged bolts GN 480 (page 13) and sensor holders GN 479 (page 11).

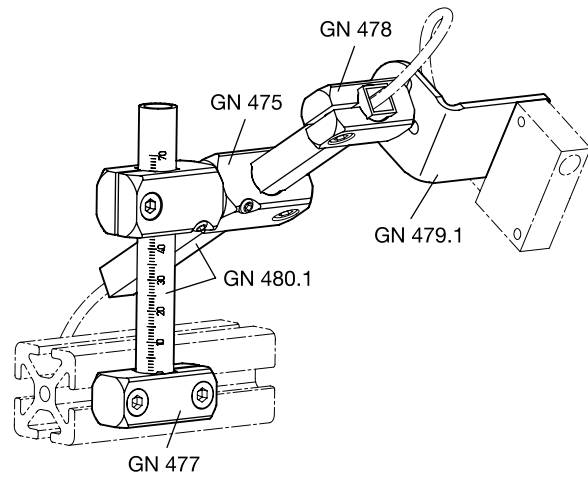
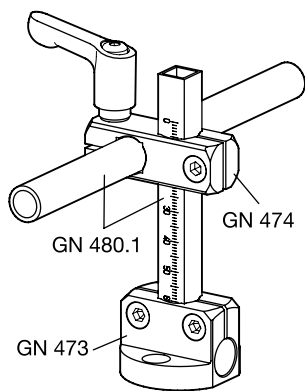
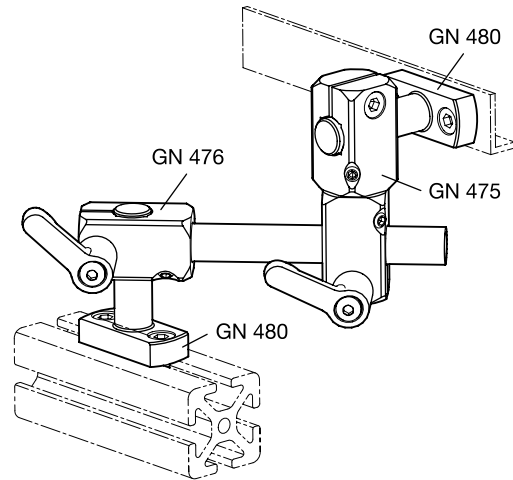
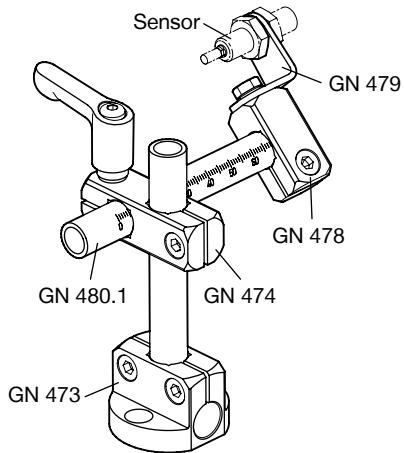
Other clamping elements made of aluminium are found in the E+G-Tube Clamp Connectors catalogue.

<p>Foot clamp mountings GN 473, page 5</p>		<p>Two-way clamp mountings GN 474, page 6</p>	
<p>Twistable two-way clamp mountings GN 475, page 7</p>		<p>T-clamp mountings GN 476, page 8</p>	
<p>Clamp mountings GN 477, page 9</p>		<p>Clamp mountings GN 478, page 10</p>	
<p>Flanged bolts GN 480, page 13</p>		<p>Retaining rods, Retaining tubings GN 480.1, pages 14/15</p>	
<p>Sensor holders GN 479, page 11</p>		<p>Retaining plates GN 479.1, page 12</p>	

Mounting examples for clamp mountings

4

Clamp mountings



GN 473

Foot clamp mountings



•Material

Aluminium.

•Finish

- Version **MT**: matte, ground.
- Version **ELS**: anodised, black.

•Clamping screws

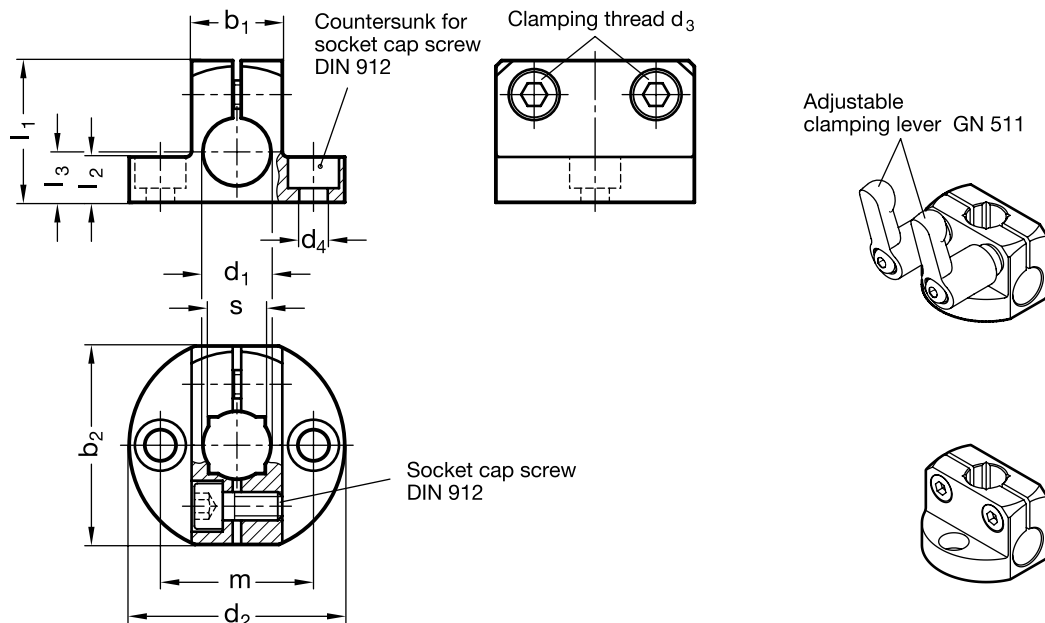
AISI 304 stainless steel socket cap screws DIN 912.

Features and applications

The bore spacing m of the foot clamp mountings GN 473 is matched with the clamp mountings GN 477 and the flanged bolts GN 480. The standard clamping bolts are socket cap screws DIN 912. They can be replaced by clamping kits GN 511 (description see table of dimensions).

Accessories

Clamping kits GN 511 (clamping handles GN 300.1 with distance bushing) see page 16.



Standard Elements	Main dimensions											Clamping kits for d_3	\triangle
Description	d_1 Bore B for shaft tol. h11	b_1	b_2	d_2	d_3 Clamping thread	d_4 for screw	l_1	l_2	l_3	m	s Square V		g
GN 473-B8-MT	B8	14	29	31.5	M4	M4	20	7	7	22	-	GN 511-M4-14	23
GN 473-B10-MT	B10	16	35	38	M5	M5	24	8	8	27	8	GN 511-M5-16	36
GN 473-B12-MT	B12	16	35	38	M5	M5	25	8	8	27	10	GN 511-M5-16	33
GN 473-B15-MT	B15	20	41	45	M6	M6	30	10	10	32	12	GN 511-M6-20	57
GN 473-B16-MT	B16	20	41	45	M6	M6	31	10	10	32	-	GN 511-M6-20	57
GN 473-B20-MT	B20	25	44	50	M6	M6	35	12.5	12.5	36	16	GN 511-M6-25	76
GN 473-B8-ELS	B8	14	29	31.5	M4	M4	20	7	7	22	-	GN 511-M4-14	23
GN 473-B10-ELS	B10	16	35	38	M5	M5	24	8	8	27	8	GN 511-M5-16	36
GN 473-B12-ELS	B12	16	35	38	M5	M5	25	8	8	27	10	GN 511-M5-16	33
GN 473-B15-ELS	B15	20	41	45	M6	M6	30	10	10	32	12	GN 511-M 6-20	57
GN 473-B16-ELS	B16	20	41	45	M6	M6	31	10	10	32	-	GN 511-M6-20	57
GN 473-B20-ELS	B20	25	44	50	M6	M6	35	12.5	12.5	36	16	GN 511-M6-25	80

GN 474

Two-way clamp mountings

•Material

Aluminium.

•Finish

- Version **MT**: matte, ground.
- Version **ELS**: anodised, black.

•Clamping screws

AISI 304 stainless steel socket cap screws DIN 912.

Features and applications

The standard clamping bolts are socket cap screws DIN 912. They can be replaced by clamping kits GN 511 (description see table of dimensions).

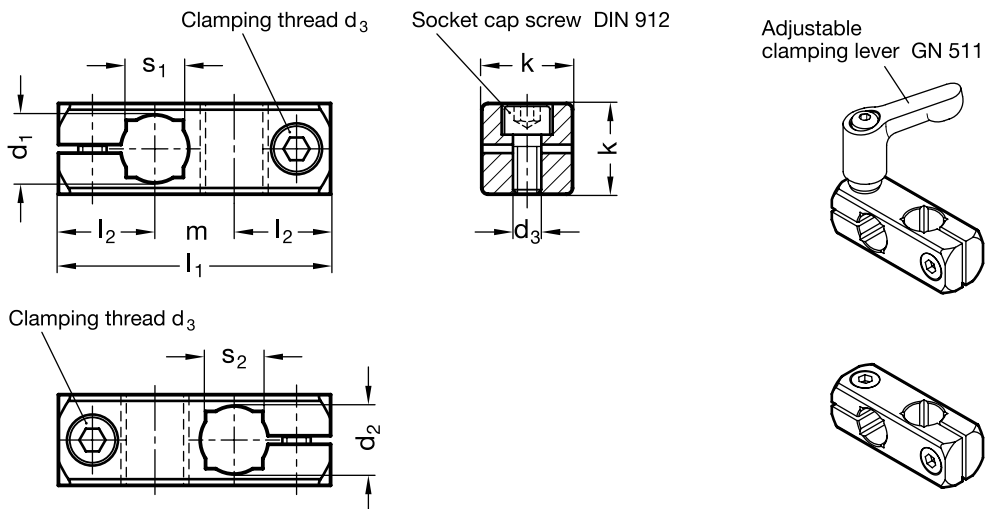
Accessories

Clamping kits GN 511 (clamping handles GN 300.1 with distance bushing) see page 16.



Clamp mountings

6



Standard Elements	Main dimensions									Clamping kits for d ₃	⚖
Description	d ₁ Bore B for shaft tol. h11	d ₂ Bore B for shaft tol. h11	k	d ₃ Clamping thread	l ₁	l ₂	m	s ₁ Square V	s ₂ Square V		g
GN 474-B8-B8-MT	B8	B8	14	M4	37	13.5	10	-	-	GN 511-M4-14	16
GN 474-B10-B10-MT	B10	B10	16	M5	46	17	12	8	8	GN 511-M5-16	25
GN 474-B12-B12-MT	B12	B12	16	M5	48	17	14	10	10	GN 511-M5-16	23
GN 474-B15-B15-MT	B15	B15	20	M6	58	20.5	17	12	12	GN 511-M6-20	44
GN 474-B16-B16-MT	B16	B16	20	M6	59	20.5	18	-	-	GN 511-M6-20	43
GN 474-B20-B20-MT	B20	B20	25	M6	65	21.5	22	16	16	GN 511-M6-25	67
GN 474-B8-B8-ELS	B8	B8	14	M4	37	13.5	10	-	-	GN 511-M4-14	16
GN 474-B10-B10-ELS	B10	B10	16	M5	46	17	12	8	8	GN 511-M5-16	25
GN 474-B12-B12-ELS	B12	B12	16	M5	48	17	14	10	10	GN 511-M5-16	23
GN 474-B15-B15-ELS	B15	B15	20	M6	58	20.5	17	12	12	GN 511-M6-20	44
GN 474-B16-B16-ELS	B16	B16	20	M6	59	20.5	18	-	-	GN 511-M6-20	43
GN 474-B20-B20-ELS	B20	B20	25	M6	65	21.5	22	16	16	GN 511-M6-25	67

GN 475

Twistable two-way clamp mountings



•Material

Aluminium.

•Finish

- Version **MT**: matte, ground.
- Version **ELS**: anodised, black.

•Clamping screws

AlSI 304 stainless steel socket cap screws DIN 912.

•Grub screws

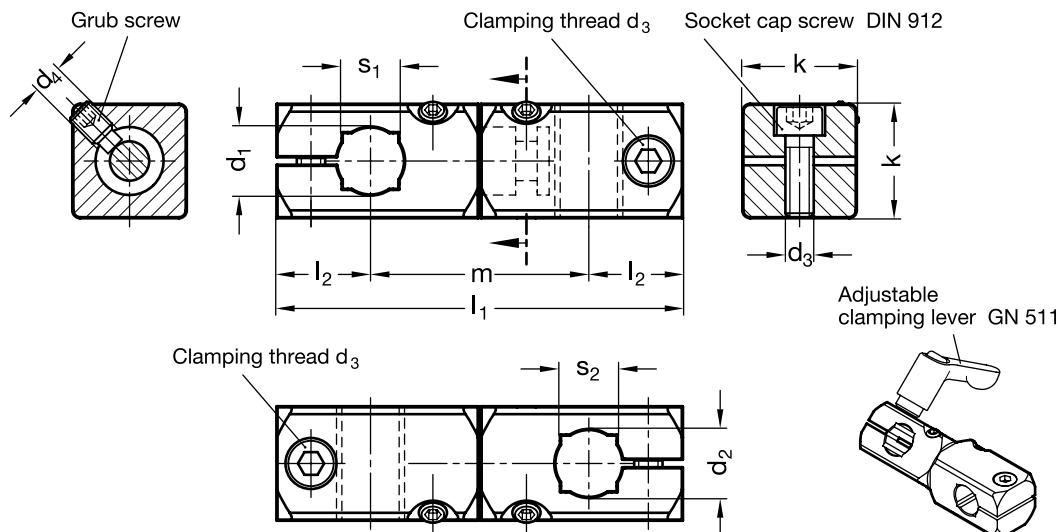
AlSI 304 stainless steel grub screws DIN 915.

Features and applications

The standard clamping bolts are socket cap screws DIN 912. They can be replaced by clamping kits GN 511 (description see table of dimensions).

Accessories

Clamping kits GN 511 (clamping handles GN 300.1 with distance bushing) see page 16.



Standard Elements	Main dimensions										Clamping kits for d ₃	g
	d ₁ Bore B for shaft tol. h11	d ₂ Bore B for shaft tol. h11	k	d ₃ Clamping thread	d ₄	l ₁	l ₂	m	s ₁ Square V	s ₂ Square V		
GN 475-B8-B8-MT	B8	B8	16	M4	M4	52.5	13	26.5	-	-	GN 511-M4-16	34
GN 475-B10-B10-MT	B10	B10	20	M5	M5	63.5	15.5	32.5	8	8	GN 511-M5-20	65
GN 475-B12-B12-MT	B12	B12	20	M5	M5	71.5	16.5	38.5	10	10	GN 511-M5-20	73
GN 475-B15-B15-MT	B15	B15	25	M6	M6	87.5	20	47.5	12	12	GN 511-M6-25	143
GN 475-B16-B16-MT	B16	B16	25	M6	M6	90.5	20	50.5	-	-	GN 511-M6-25	139
GN 475-B8-B8-ELS	B8	B8	16	M4	M4	52.5	13	26.5	-	-	GN 511-M4-16	34
GN 475-B10-B10-ELS	B10	B10	20	M5	M5	63.5	15.5	32.5	8	8	GN 511-M5-20	65
GN 475-B12-B12-ELS	B12	B12	20	M5	M5	71.5	16.5	38.5	10	10	GN 511-M5-20	73
GN 475-B15-B15-ELS	B15	B15	25	M6	M6	87.5	20	47.5	12	12	GN 511-M6-25	143
GN 475-B16-B16-ELS	B16	B16	25	M6	M6	90.5	20	50.5	-	-	GN 511-M6-25	139

GN 476

T-Clamp mountings

•Material

Aluminium.

•Bolt

Steel, zinc-plated, blue passivated (type W).

•Types

- Type **A**: with bore.

- Type **W**: with bolt.

•Finish

- Version **MT**: matte, ground.

- Version **ELS**: anodised, black.

•Clamping screws

AISI 304 stainless steel socket cap screws DIN 912.

•Grub screws

AISI 304 stainless steel grub screws DIN 913 / DIN 915.

Features and applications

The standard clamping bolts are socket cap screws DIN 912. They can be replaced by clamping kits GN 511 (description see table of dimensions).

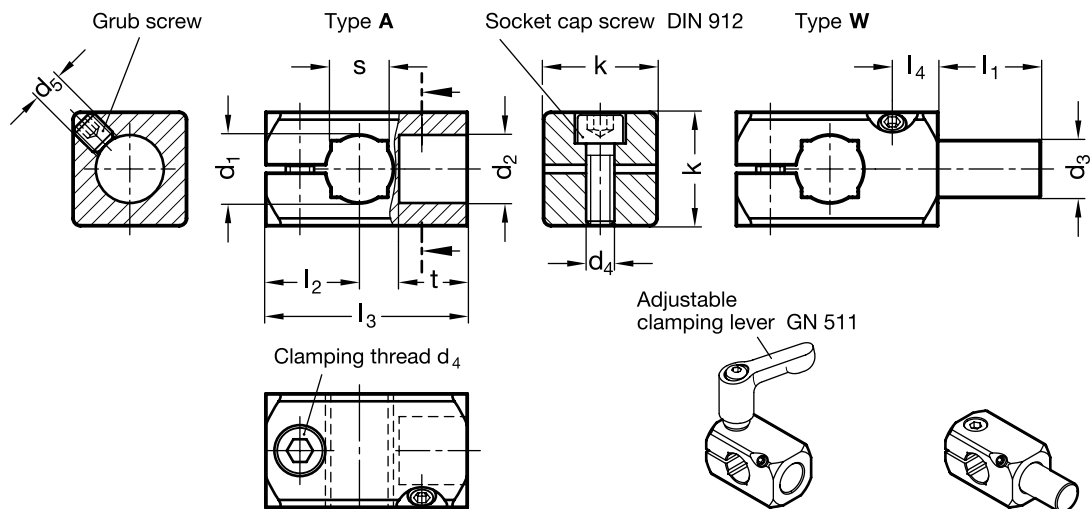
Accessories

Clamping kits GN 511 (clamping handles GN 300.1 with distance bushing) see page 16.



Clamp mountings

8



Standard Elements	Main dimensions												Clamping kits for d ₄	g
	d ₁ Bore B for shaft tol. h11	d ₂ H9 Type A	d ₃ Type W	k	d ₄ Clamping thread	d ₅	l ₁	l ₂	l ₃	l ₄	t	s Square V		
GN 476-B8-B8-A-*	B8	B8	-	16	M 4	M 4	16	13	26	5.5	8	-	GN 511-M4-16	20
GN 476-B10-B10-A-*	B10	B10	-	20	M 5	M 5	17	15.5	31.5	7	10	8	GN 511-M5-20	150
GN 476-B12-B12-A-*	B12	B12	-	20	M 5	M 5	19	16.5	35.5	8	12	10	GN 511-M5-20	28
GN 476-B15-B15-A-*	B15	B15	-	25	M 6	M 6	21	20	43.5	10	15	12	GN 511-M6-25	54
GN 476-B16-B16-A-*	B16	B16	-	25	M 6	M 6	24	20	45	11	16	-	GN 511-M6-25	54
GN 476-B8-B8-W-*	B8	-	8	16	M 4	M 4	16	13	26	5.5	8	-	GN 511-M4-16	20
GN 476-B10-B10-W-*	B10	-	10	20	M 5	M 5	17	15.5	31.5	7	10	8	GN 511-M5-20	150
GN 476-B12-B12-W-*	B12	-	12	20	M 5	M 5	19	16.5	35.5	8	12	10	GN 511-M5-20	28
GN 476-B15-B15-W-*	B15	-	15	25	M 6	M 6	21	20	43.5	10	15	12	GN 511-M6-25	54
GN 476-B16-B16-W-*	B16	-	16	25	M 6	M 6	24	20	45	11	16	-	GN 511-M6-25	54

* Complete the description of the standard item needed by adding the index of the finish of the clamp mountings: MT (matte, ground) or ELS (anodised, black).

GN 477

Clamp mountings



•Material

Aluminium.

•Finish

- Version **MT**: matte, ground.

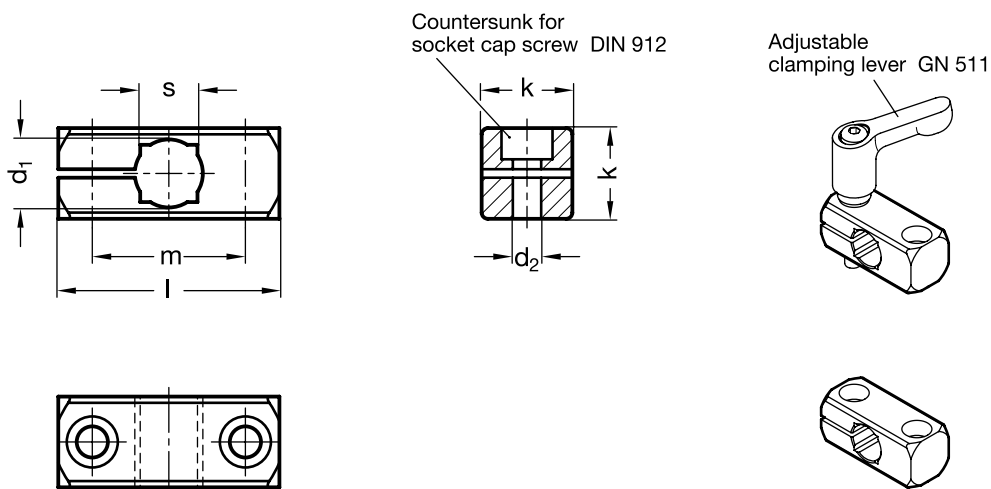
- Version **ELS**: anodised, black.

Features and applications

The bore spacing m of the foot clamp mountings GN 473 is matched with the clamp mountings GN 477 and the flanged bolts GN 480.

Accessories

Clamping kits GN 511 (clamping handles GN 300.1 with distance bushing) see page 16.



Standard Elements	Main dimensions						Clamping kits for d_3	g
Description	d_1 Bore B for shaft tol. h11	k	d_2 for screw	Length l	m	s Square V		
GN 477-B8-MT	B8	14	M4	31.5	22	-	GN 511-M4-20	11
GN 477-B10-MT	B10	16	M5	38	27	8	GN 511-M5-25	18
GN 477-B12-MT	B12	16	M5	38	27	10	GN 511-M5-25	37
GN 477-B15-MT	B15	20	M6	45	32	12	GN 511-M6-25	40
GN 477-B16-MT	B16	20	M6	45	32	-	GN 511-M6-25	29
GN 477-B20-MT	B20	25	M6	50	36	16	GN 511-M6-32	52
GN 477-B8-ELS	B8	14	M4	31.5	22	-	GN 511-M4-20	11
GN 477-B10-ELS	B10	16	M5	38	27	8	GN 511-M5-25	18
GN 477-B12-ELS	B12	16	M5	38	27	10	GN 511-M5-25	20
GN 477-B15-ELS	B15	20	M6	45	32	12	GN 511-M6-25	31
GN 477-B16-ELS	B16	20	M6	45	32	-	GN 511-M6-25	29
GN 477-B20-ELS	B20	25	M6	50	36	16	GN 511-M6-32	52

GN 478

Clamp mountings

•Material

Aluminium.

•Finish

- Version **MT**: matte, ground.
- Version **ELS**: anodised, black.

•Clamping screws

AISI 304 stainless steel socket cap screws DIN 912.

Features and applications

Clamp mountings GN 478 are primarily designed for mounting sensor holders.

The standard clamping bolts are socket cap screws DIN 912. They can be replaced by clamping kits GN 511 (description see table of dimensions).

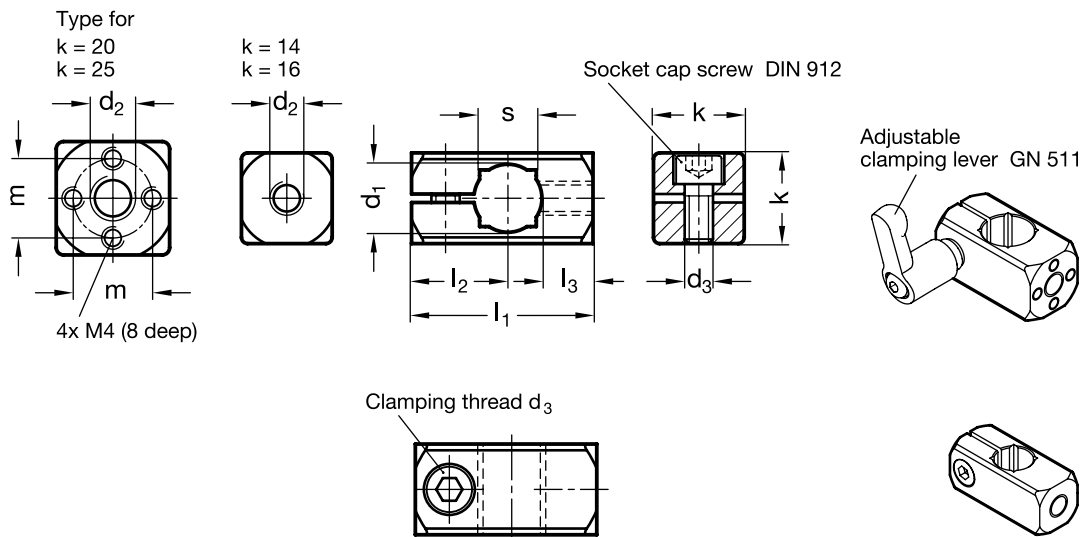
Accessories

Clamping kits GN 511 (clamping handles GN 300.1 with distance bushing) see page 16.



10

Clamp mountings



Standard Elements	Main dimensions									Clamping kits for d3	g
	d1 Bore B for shaft tol. h11	d2	d3 Clamping thread	k	m	l1	l2	l3	s Square V		
GN 478-B8-M5-*	B8	M5	M4	14	-	25	13.5	7.5	-	GN 511-M4-14	11
GN 478-B10-M5-*	B10	M5	M5	16	-	30	17	8	8	GN 511-M5-16	16
GN 478-B10-M6-*	B10	M6	M5	16	-	30	17	8	8	GN 511-M5-16	20
GN 478-B10-M8-*	B10	M8	M5	16	-	30	17	8	8	GN 511-M5-16	16
GN 478-B12-M5-*	B12	M5	M5	16	-	32	17	9	10	GN 511-M5-16	16
GN 478-B12-M6-*	B12	M6	M5	16	-	32	17	9	10	GN 511-M5-16	16
GN 478-B12-M8-*	B12	M8	M5	16	-	32	17	9	10	GN 511-M5-16	15
GN 478-B15-M6-*	B15	M6	M6	20	14	40	20.5	12	12	GN 511-M6-20	20
GN 478-B15-M8-*	B15	M8	M6	20	14	40	20.5	12	12	GN 511-M6-20	31
GN 478-B16-M6-*	B16	M6	M6	20	14	40	20.5	11.5	-	GN 511-M6-20	31
GN 478-B16-M8-*	B16	M8	M6	20	14	40	20.5	11.5	-	GN 511-M6-20	30
GN 478-B20-M8-*	B20	M8	M6	25	17	45	21.5	12	16	GN 511-M6-25	51
GN 478-B20-M10-*	B20	M10	M6	25	17	45	21.5	12	16	GN 511-M6-25	50

* Complete the description of the standard item needed by adding the index of the finish of the clamp mountings: MT (matte, ground) or ELS (anodised, black).



Sensor holders

•Material

AISI 304 stainless steel, matte shot-blasted.

•Assembly

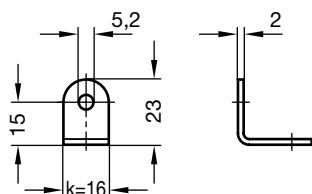
Fixing screws are not included parts of the order.

Features and applications

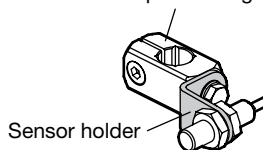
The cross-shaped oblong holes of the sensor holders GN 479 with k=30 holder provide extra adjustability and allow the use of 2 fixing screws.



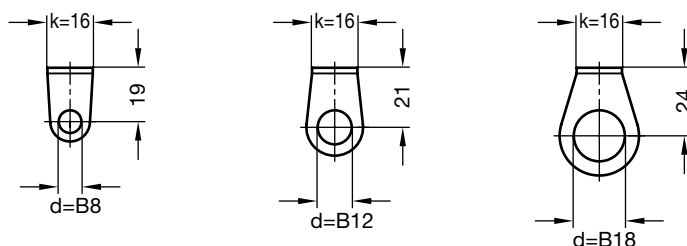
Swivel width k=16



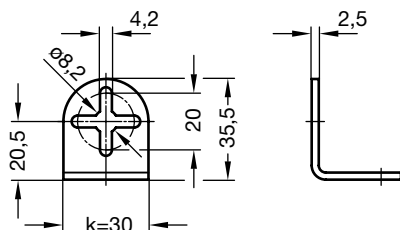
Clamp mounting GN 478



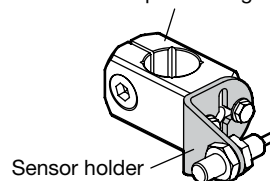
Front views for different bore- \varnothing d



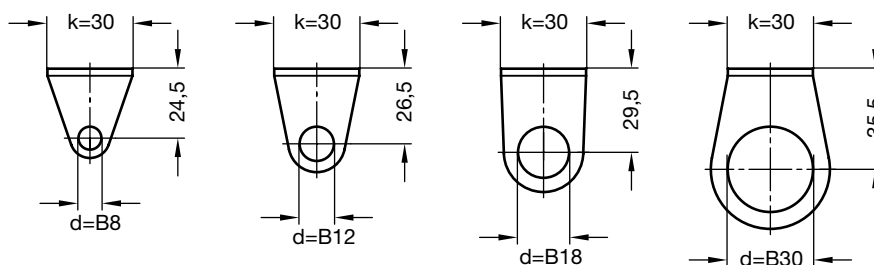
Swivel width k=30



Clamp mounting GN 478



Front views for different bore- \varnothing d



Standard Elements	Main dimensions		Δ
Description	d Bore B	k	g
GN 479-B8-16	B8	16	9
GN 479-B12-16	B12	16	10
GN 479-B18-16	B18	16	13
GN 479-B8-30	B8	30	24
GN 479-B12-30	B12	30	26
GN 479-B18-30	B18	30	30
GN 479-B30-30	B30	30	36

Retaining plates

•Material

AISI 304 stainless steel, matte shot-blasted.

•Assembly

Fixing screws are not included parts of the order.

Features and applications

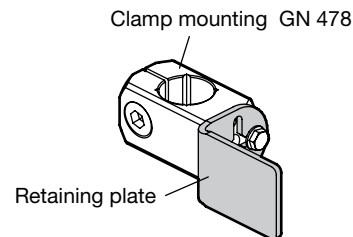
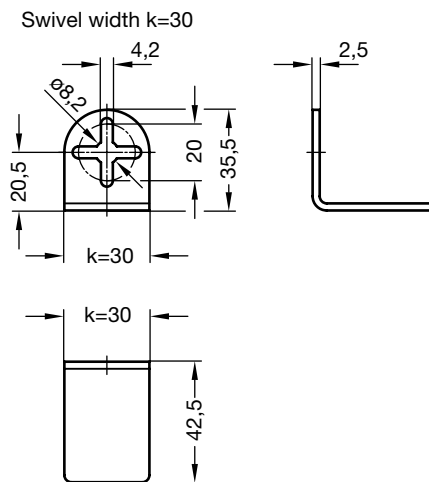
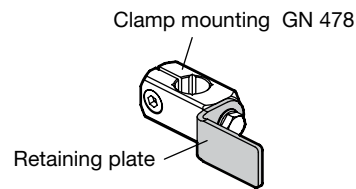
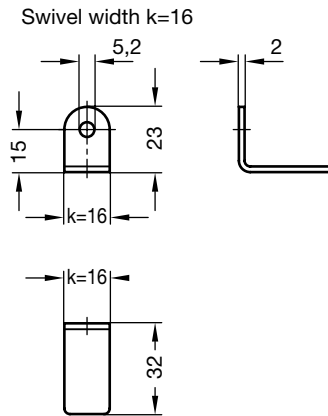
The cross-shaped oblong holes of the retainings plates GN 479.1 with $k=30$ provide extra adjustability and allow the use of 2 fixing screws.

Retaining plates GN 479.1 are designed as universal mounting elements, e.g. for integrating specific bore patterns.



12

Clamp mountings



Standard Elements	Main dimensions	Δ
Description	k	g
GN 479.1-16	16	9
GN 479.1-30	30	26

GN 480

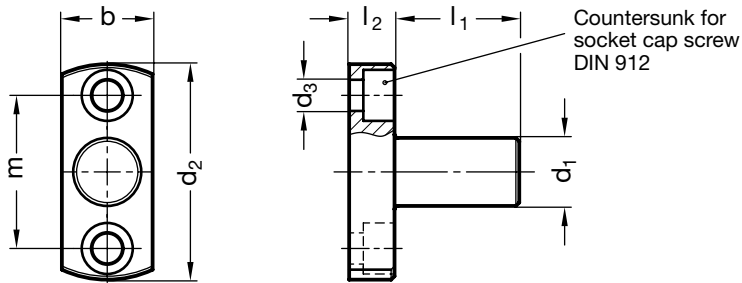
Flanged bolts

•Material

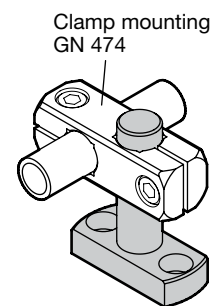
Steel, zinc-plated, blue passivated.

Features and applications

Flanged bolts GN 480 are used in connection with clamp mountings, as foot or as work holding flange.



Application example



Standard Elements	Main dimensions							⚖
Description	d ₁	l ₁	b	d ₂	d ₃ for screw	l ₂	m	g
GN 480-8-18	8	18	14	31.5	M4	6	22	23
GN 480-8-32	8	32	14	31.5	M4	6	22	40
GN 480-10-21	10	21	16	38	M5	8	27	43
GN 480-10-37	10	37	16	38	M5	8	27	52
GN 480-12-22	12	22	16	38	M5	8	27	49
GN 480-12-39	12	39	16	38	M5	8	27	64
GN 480-15-27,5	15	27.5	20	45	M6	10	32	94
GN 480-15-47,5	15	47.5	20	45	M6	10	32	122
GN 480-16-28	16	28	20	45	M6	10	32	100
GN 480-16-49	16	49	20	45	M6	10	32	133
GN 480-20-35	20	35	25	50	M6	10	36	166
GN 480-20-60	20	60	25	50	M 6	10	36	228

Retaining rods / Retaining tubings

•Material

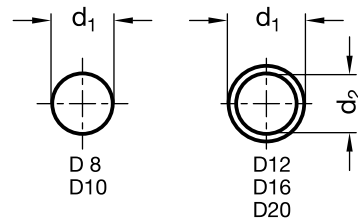
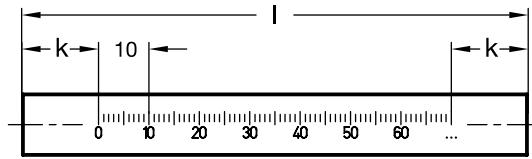
AISI 304 stainless steel **NI**.

- Type **OS**: without scale.

- Type **LS**: with scale (mm-graduation), engraved by precision laser.

Special executions on request (For sufficient quantities)

Retaining rods / tubings with other scales.



14

Clamp mountings

Standard Elements	Main dimensions				△△
Description	d ₁	Length l	d ₂	k	g
GN 480.1-D8-100-NI-*	D8	100	-	15	39
GN 480.1-D8-150-NI-*	D8	150	-	15	59
GN 480.1-D8-200-NI-*	D8	200	-	15	78
GN 480.1-D8-250-NI-*	D8	250	-	15	98
GN 480.1-D8-300-NI-*	D8	300	-	15	118
GN 480.1-D10-100-NI-*	D10	100	-	15	60
GN 480.1-D10-150-NI-*	D10	150	-	15	100
GN 480.1-D10-200-NI-*	D10	200	-	15	123
GN 480.1-D10-250-NI-*	D10	250	-	15	154
GN 480.1-D10-300-NI-*	D10	300	-	15	185
GN 480.1-D12-100-NI-*	D12	100	9	15	37
GN 480.1-D12-150-NI-*	D12	150	9	15	56
GN 480.1-D12-200-NI-*	D12	200	9	15	74
GN 480.1-D12-250-NI-*	D12	250	9	15	93
GN 480.1-D12-300-NI-*	D12	300	9	15	112
GN 480.1-D16-100-NI-*	D16	100	13	20	54
GN 480.1-D16-150-NI-*	D16	150	13	20	82
GN 480.1-D16-200-NI-*	D16	200	13	20	109
GN 480.1-D16-250-NI-*	D16	250	13	20	137
GN 480.1-D16-300-NI-*	D16	300	13	20	164
GN 480.1-D20-100-NI-*	D20	100	16	25	85
GN 480.1-D20-150-NI-*	D20	150	16	25	127
GN 480.1-D20-200-NI-*	D20	200	16	25	170
GN 480.1-D20-250-NI-*	D20	250	16	25	213
GN 480.1-D20-300-NI-*	D20	300	16	25	256

* Complete the description of the standard item needed by adding the index of the type of the retaining rods / tubings: OS (without scale) or LS (with scale).

GN 480.1

Retaining square tubings

•Material

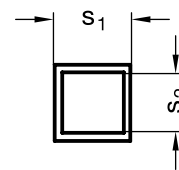
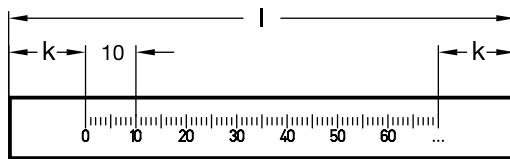
Aluminium **AL**, anodised, natural colour, matte.

- Type **OS**: without scale.

- Type **LS**: with scale (mm-graduation), engraved by precision laser.

Special executions on request (For sufficient quantities)

Retaining square tubings with other scales.



Standard Elements	Main dimensions				△△
Description	s1	Length l	s2	k	g
GN 480.1-V10-100-AL-*	V10	100	7	15	11
GN 480.1-V10-150-AL-*	V10	150	7	15	19
GN 480.1-V10-200-AL-*	V10	200	7	15	25
GN 480.1-V10-250-AL-*	V10	250	7	15	32
GN 480.1-V10-300-AL-*	V10	300	7	15	38
GN 480.1-V12-100-AL-*	V12	100	9	15	15
GN 480.1-V12-150-AL-*	V12	150	9	15	23
GN 480.1-V12-200-AL-*	V12	200	9	15	31
GN 480.1-V12-250-AL-*	V12	250	9	15	39
GN 480.1-V12-300-AL-*	V12	300	9	15	46
GN 480.1-V16-100-AL-*	V16	100	13	20	21
GN 480.1-V16-150-AL-*	V16	150	13	20	32
GN 480.1-V16-200-AL-*	V16	200	13	20	43
GN 480.1-V16-250-AL-*	V16	250	13	20	53
GN 480.1-V16-300-AL-*	V16	300	13	20	64

* Complete the description of the standard item needed by adding the index of the type of the retaining rods / tubings: OS (without scale) or LS (with scale).

Clamping kits

•Lever body

Zinc alloy die-cast, epoxy resin coating.

•Colour

RAL 9006 silver.

•Clamping element

AISI 303 stainless steel with threaded hole and toothed element for coupling to the lever body, AISI 303 stainless steel screw and AISI 301 stainless steel return spring.

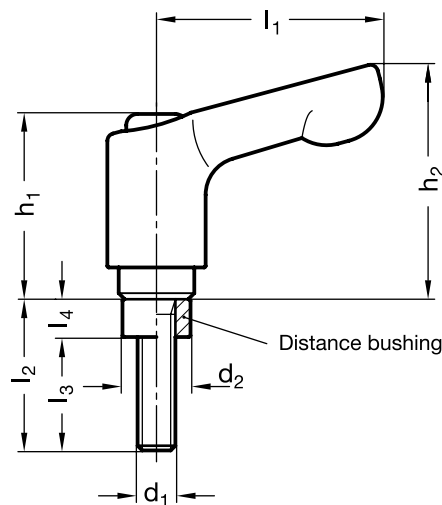
•Distance bushing

AISI 303 stainless steel.

Features and applications

For clamp mountings, the clamping kits GN 511 replaces the DIN 912 hexagonal recessed screw.

The matching clamping kits for each clamping thread are listed in the dimensional tables of the clamp mountings.



Standard Elements	Main dimensions								Δ
Description	d1	d2	l1	l2	l3	l4	h1	h2	g
GN 511-M4-14	M4	7.5	30	14	9.5	4.5	24.5	30.5	37
GN 511-M4-16	M4	7.5	30	16	11.5	4.5	24.5	30.5	38
GN 511-M4-20	M4	7.5	30	20	15.5	4.5	24.5	30.5	40
GN 511-M5-16	M5	9	30	16	10	6	24.5	30.5	39
GN 511-M5-20	M5	9	30	20	14	6	24.5	30.5	40
GN 511-M5-25	M5	9	30	25	19	6	24.5	30.5	40
GN 511-M6-20	M6	10.5	45	20	13.5	6.5	24.5	35	40
GN 511-M6-25	M6	10.5	45	25	18.5	6.5	24.5	35	50
GN 511-M6-32	M6	10.5	45	32	25.5	6.5	24.5	35	51

Distributed by



OTTO GANTER GmbH & Co.KG
Triberger Straße 3
78120 Furtwangen GERMANY
Phone: +49 7723 65 07 130
Fax: +49 7723 65 07 165
www.ganter-griff.com
info@ganter-griff.de

ELESA S.p.A.
Via Pompei 29
20052 Monza (Milano) ITALY
Phone: +39 039 28 11.1
Fax: +39 039 83 63 51
www.elesa.com
info@elesa.com

www.elesa-ganter.com