

Sensor Holders

Stainless Steel, for Toggle Clamp with Vertical Base, with / without Sensor

SPECIFICATION

Types

- Type **V**: For toggle clamp with vertical tension lever
- Type **H**: For toggle clamp with horizontal tension lever

Identification no.

- No. **1**: With proximity sensor
- No. **2**: Without proximity sensor

Retaining bracket / Retaining plate

Stainless steel AISI 304

Setting nuts

Stainless steel AISI 304

Socket cap screws / Washers / Nuts

Stainless steel

Proximity sensor at identification no. 1

- Housing, stainless steel AISI 304
- Inductive, 3-pole, PNP contact
- Thread M8 x 1
- Operating temperature -25 °C to +80 °C



INFORMATION

Sensor holders GN 801.4 are designed as accessories for GN 810 (see page 1562) and GN 820 (see page 1576) series toggle clamps and enable contactless monitoring of the clamping positions using an inductive sensor.

When the clamping lever is in clamping position, the sensor electronics provide a high signal, e.g. to a machine control unit, and additionally indicate this switch status with an LED on the sensor.

Operating errors can thus be reliably detected and process reliability increased.

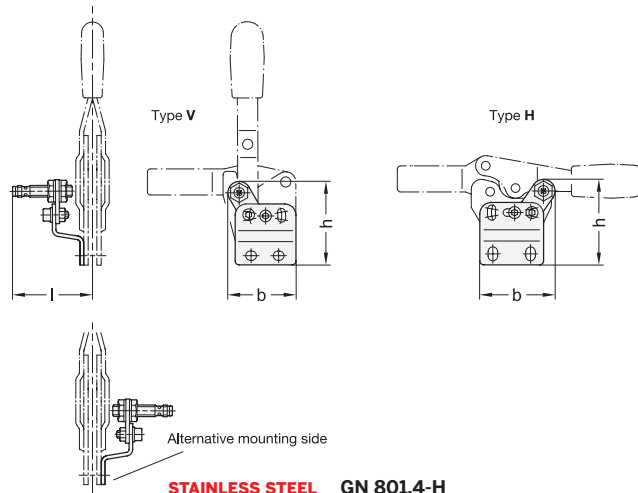
The sensor holder can be retrofitted to toggle clamps and mounted on the right or left, depending on the installation situation of the toggle clamp. All parts are supplied unmounted as a set. The proximity sensor is not included in the scope of delivery of identification no. 2.

ACCESSORY

- GN 330 Cables with Connector Coupling (3-pole, 2 or 5 meters long) (see page 1448)

TECHNICAL INFORMATION

- Assembly Instruction (see page)
- Electrical properties of the inductive proximity sensor (see page)
- General Information for Toggle Clamps (see page 1560)
- Stainless Steel Characteristics (see page A26)



GN 801.4-V

Description	Size	b ≈	h ≈	Length l ≈	For toggle clamp	
					GN 810.1, GN 810.4	⚖
GN 801.4-130-V-1	130	41.6	48	52	130	67
GN 801.4-130-V-2	130	41.6	48	52	130	52
GN 801.4-230-V-1	230	45.9	51	53	230	76
GN 801.4-230-V-2	230	45.9	51	53	230	61

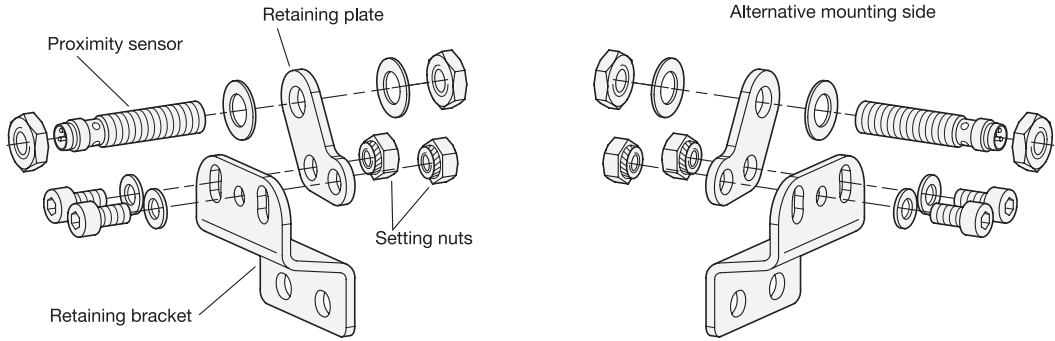
STAINLESS STEEL

GN 801.4-H

Description	Size	b ≈	h ≈	Length l ≈	For toggle clamp	
					GN 820.1, GN 820.4	⚖
GN 801.4-130-H-1	130	48.5	45	48	130	68
GN 801.4-130-H-2	130	48.5	45	48	130	53
GN 801.4-230-H-1	230	51.9	51	50	230	77
GN 801.4-230-H-2	230	51.9	51	50	230	62

STAINLESS STEEL

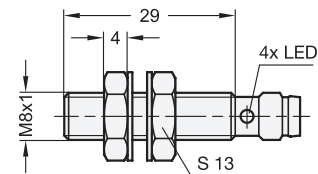
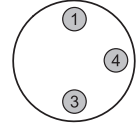
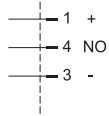
Assembly Instruction



Sensor holders can be mounted on the left or right of the toggle clamp. To do this, the setting nuts must be tightened on the left or right of the retaining plate, to secure them against rotation and loss. This facilitates the further assembly of the sensor holder and the adjustment of the sensor. Subsequent changing of the mounting side is not intended.

The sensor is inserted into the bore in the retaining bracket according to the selected mounting side and the depth is adjusted and fastened using the nuts in such a way that the clamping lever reliably switches it in the clamping position.

Electrical properties of the inductive proximity sensor	
Output function	Normally open (NO)
Output type	PNP
Supply voltage	10 ... 36 V DC
Continuous current I_a	≤ 150 mA
Connection type Connector	3-pole connector M8x1
Protection type	IP 67
Switching frequency	Max. ≤ 2,000 Hz
Power consumption	≤ 16 mA
Voltage drop	≤ 2,5 V
Protection class	III
Switching distance S_N	2 mm
Operating temperature	-25 °C ... +80 °C
Shock and vibration resistance	30 g, 11 ms / 10 ... 55 Hz, 1 mm
EMC	According to EN 60947-5-2
Reverse polarity protection	Yes
Short-circuit protection	Yes
Activation impulse suppression	Yes
Approvals, conformity declarations	
CE marking	
UL	



Toggle, power and hook clamps 14