

Latch Type Toggle Clamps

Steel / Stainless Steel, for Pulling Action, with Lock Mechanism

SPECIFICATION

Types

- Type **T3L**: With square U-Bolt, with catch
- Type **T3**: Without square U-bolt, with catch

Tensioning mechanism

- Steel **ST**
 - Sheet metal parts
 - Case-hardened steel C10, zinc plated, blue passivated
 - Square U-bolt
 - Steel St 37, zinc plated, blue passivated
 - Bearing pins tempered
 - Bearing rivets case-hardened
 - Moving parts lubricated with special grease
- Stainless steel **NI**
 - Sheet metal parts, square U-bolt AISI 304
 - Bearing pins, bearing rivets AISI 303
 - Moving parts lubricated with special grease

Handle

Plastic
Red, oil resistant



INFORMATION

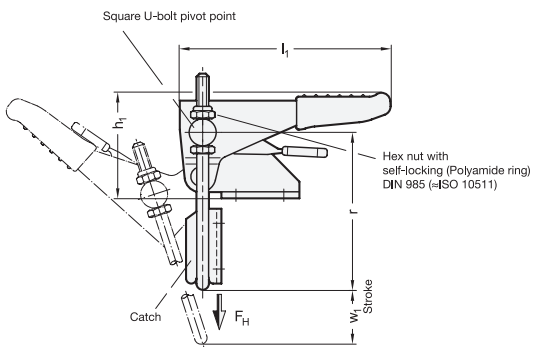
Latch type toggle clamps GN 851.4 are securely locked while in the clamped position to prevent loosening by accident or due to vibrations. The lock can be released by one hand operation. The stroke of the square U-bolt can be adjusted within its range. In the clamped position, the square U-bolt is perpendicular to the clamping arm and to the fixing plane of the latch type toggle clamp. In addition to the standard lengths for the square U-bolt shown in the table, a variety of other lengths are offered under the GN 951.1 series.

ACCESSORY

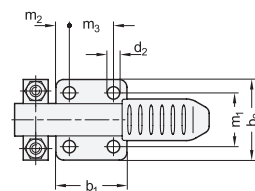
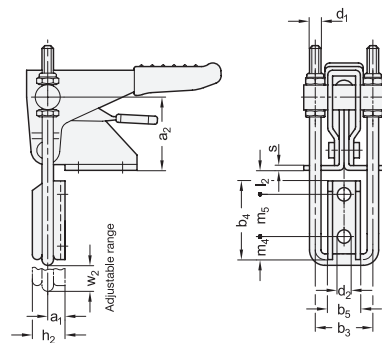
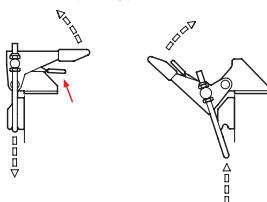
- GN 951.1 Square U-Bolts (see page 1604)

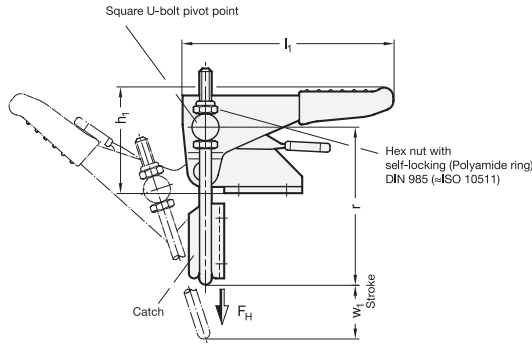
TECHNICAL INFORMATION

- General Information for Toggle Clamps (see page 1560)
- Stainless Steel Characteristics (see page A26)

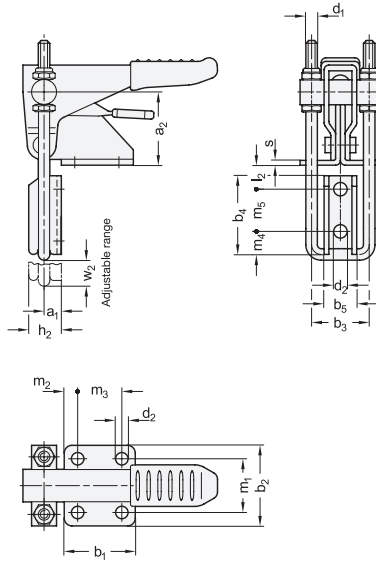
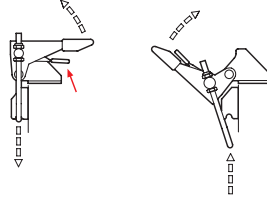


Operating principle





Operating principle



GN 851.4-ST

Description	Size	F _H in N	a1	a2	b1	b2	b3	b4	b5	d1	d2	h1	h2	l1 ≈	l2 min.	m1	m2	m3	m4	m5	r ≈ at w2 = 0	s	w1	w2 ≈ Adjustable range	⚖
GN 851.4-160-T3L-ST	160	1600	5	25	26	35	21	25.5	14	M 4	4.3	37	10	68	4.5	22	6.5	13	6.7	14.3	52	2	32	10	110
GN 851.4-160-T3-ST	160	1600	5	25	26	35	21	25.5	14	-	4.3	37	10	68	4.5	22	6.5	13	6.7	14.3	-	2	32	10	95
GN 851.4-320-T3L-ST	320	3200	8	37	36	44	32	37	22	M 6	6.5	54	15	106	6	25.5	8.5	19	10.5	20.5	78	3	53	21	343
GN 851.4-320-T3-ST	320	3200	8	37	36	44	32	37	22	-	6.5	54	15	106	6	25.5	8.5	19	10.5	20.5	-	3	53	21	295
GN 851.4-700-T3L-ST	700	7000	13	45	52	54	38	48.5	26	M 8	8.5	67	23	147	8	36.5	10	32	13.5	27	102	3.5	64	25	750
GN 851.4-700-T3-ST	700	7000	13	45	52	54	38	48.5	26	-	8.5	67	23	147	8	36.5	10	32	13.5	27	-	3.5	64	25	638

GN 851.4-NI

STAINLESS STEEL

Description	Size	F _H in N	a1	a2	b1	b2	b3	b4	b5	d1	d2	h1	h2	l1 ≈	l2 min.	m1	m2	m3	m4	m5	r ≈ at w2 = 0	s	w1	w2 ≈ Adjustable range	⚖
GN 851.4-160-T3L-NI	160	1600	5	25	26	35	21	25.5	14	M 4	4.3	37	10	68	4.5	22	6.5	13	6.7	14.3	52	2	32	10	110
GN 851.4-160-T3-NI	160	1600	5	25	26	35	21	25.5	14	-	4.3	37	10	68	4.5	22	6.5	13	6.7	14.3	-	2	32	10	95
GN 851.4-320-T3L-NI	320	3200	8	37	36	44	32	37	22	M 6	6.5	54	15	106	6	25.5	8.5	19	10.5	20.5	78	3	53	21	343
GN 851.4-320-T3-NI	320	3200	8	37	36	44	32	37	22	-	6.5	54	15	106	6	25.5	8.5	19	10.5	20.5	-	3	53	21	295
GN 851.4-700-T3L-NI	700	7000	13	45	52	54	38	48.5	26	M 8	8.5	67	23	147	8	36.5	10	32	13.5	27	102	3.5	64	25	750
GN 851.4-700-T3-NI	700	7000	13	45	52	54	38	48.5	26	-	8.5	67	23	147	8	36.5	10	32	13.5	27	-	3.5	64	25	638

