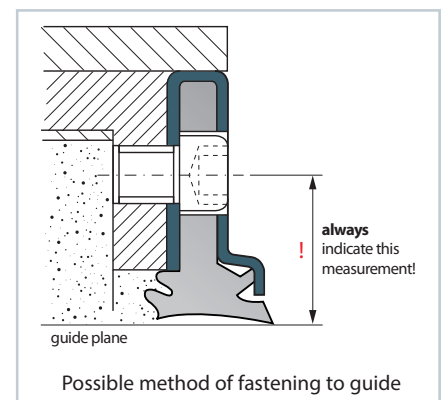
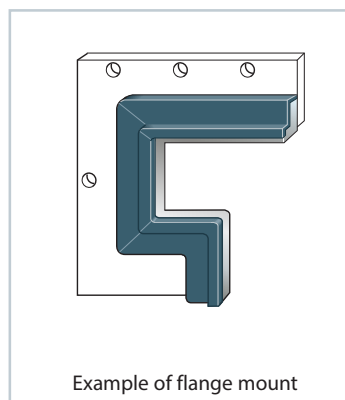
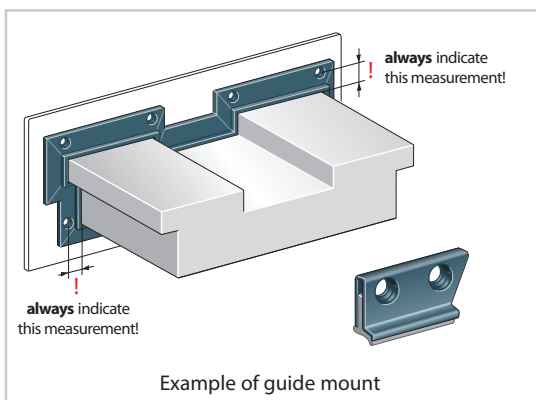
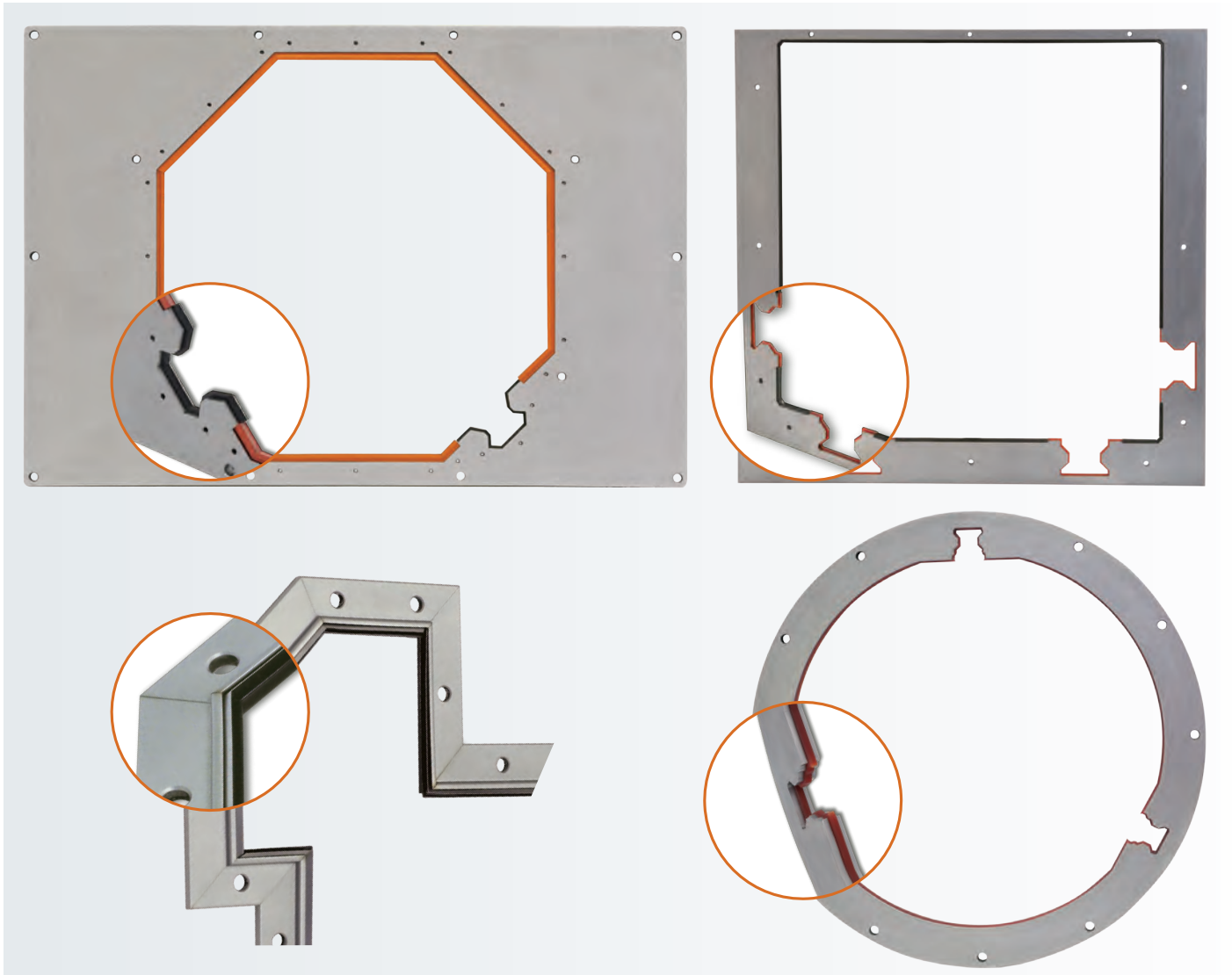


## PROFILED WIPERS FOR GUIDES

- Resistant to oils, coolants and hot shavings
- Resistant to wear
- Wiper profile has durable flexibility




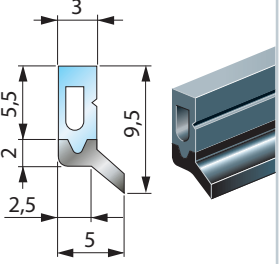

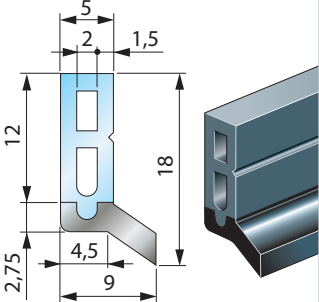

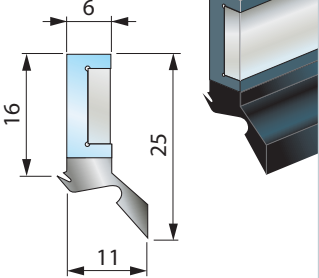

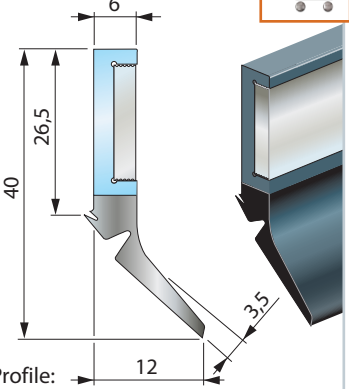
- For work environments with a heavy concentration of **sharp shavings**.
- Built to **drawings** in any shape or size.
- **Single pieces or large series** can be manufactured due to no equipment costs.
- **Polyurethane** profile resists abrasion and is easily replaced.
- We must have a drawing with measurements showing the profile of the **guides to wipe**.
- **Pre-loading is determined by our engineering department** based on the shape of the **wiper**.
- The wiper measurements refer to **free position without pre-load** and **it is ALWAYS necessary to indicate the distance measurement** between **fastening bore** and **guide plane** to wear.
- For **fastening**, we recommend counter-sunk hex screws.

## BIPLASTIC WIPERS

- PEI **Biplastic** Wipers are modelled on the client drawing.
- Strip-lengths are available in prompt delivery.


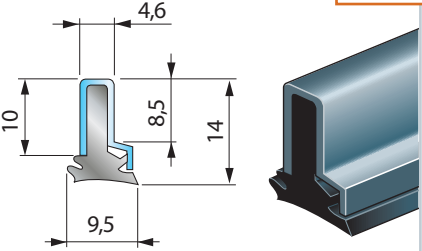

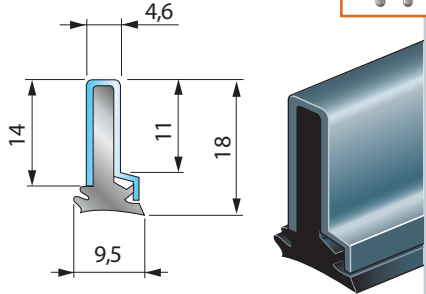
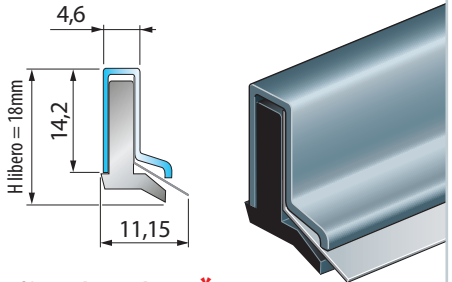

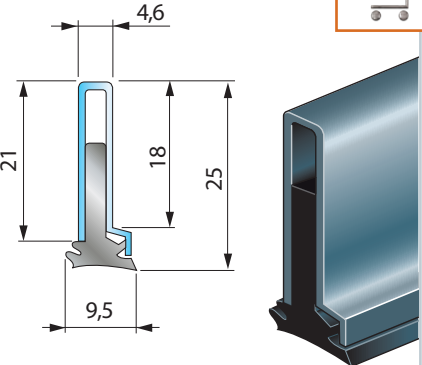
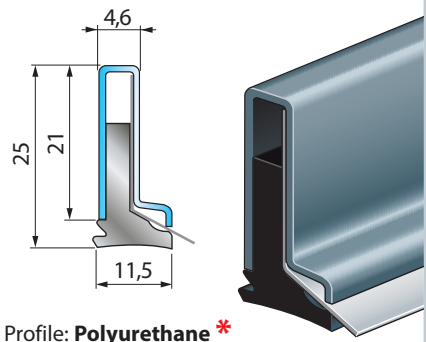

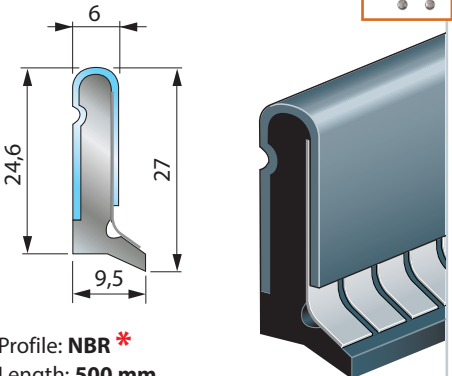


Also available via our online-shop: <http://www.pei.eu/index.php/en/shop/wipers>

<p><b>RA 01 BP</b> </p>  <p>Profile: <b>Polyurethane</b> Length: <b>2000 mm.</b> <b>Rigid polymer insert</b></p>	<p><b>RA 03 BP</b> </p>  <p>Profile: <b>Polyurethane</b> Length: <b>2000 mm.</b> <b>Rigid polymer insert</b></p>	<p><b>RA 05 BP</b> </p>  <p>Profile: <b>Polyurethane</b> Length: <b>2000 mm.</b> <b>Steel insert 12x3</b></p>	<p><b>FB40FLEX</b> </p>  <p>Profile: <b>Polyurethane</b> Length: <b>2000 mm.</b> <b>Steel insert 18x3</b></p>
--	--	--	---

## FB WIPERS

- **FB** Wipers are modelled on the client drawing or supplied in linear strips.

<p><b>FB 14</b> </p>  <p>Profile: <b>Polyurethane *</b> Length: <b>530 mm.</b> <b>Stainless steel reinforcement</b></p>	<p><b>FB 18</b> </p>  <p>Profile: <b>Polyurethane *</b> Length: <b>3000 mm.</b> <b>Stainless steel reinforcement</b></p>	<p><b>FB 18L</b></p>  <p>Profile: <b>Polyurethane *</b> Length: <b>1000 mm.</b> <b>Stainless steel reinforcement</b> <b>Shielding in inox steel 301</b></p>
<p><b>FB 25</b> </p>  <p>Profile: <b>Polyurethane *</b> Length: <b>3000 mm.</b> <b>Stainless steel reinforcement</b></p>	<p><b>FB 25L</b></p>  <p>Profile: <b>Polyurethane *</b> Length: <b>1000 mm.</b> <b>Stainless steel reinforcement</b> <b>Shielding in inox steel 301</b></p>	<p><b>FB 27</b> </p>  <p>Profile: <b>NBR *</b> Length: <b>500 mm.</b> <b>Galvanized steel insert</b> <b>Shielding in inox steel 301</b></p>

\* Prompt delivery

## RA WIPERS

RA Wipers are modelled on the client drawing or supplied in linear strips.



Also available via our online-shop: <http://www.pei.eu/index.php/en/shop/wipers>

<p><b>RA 01</b> </p> <p>Profile: <b>NBR * or Viton® *</b> Length: <b>560 mm.</b> <b>Steel insert</b></p>	<p><b>RA 02</b> </p> <p>Profile: <b>NBR * or Viton® *</b> Length: <b>560 mm.</b> <b>Steel insert</b></p>	<p><b>RA 03</b> </p> <p>Profile: <b>NBR * or Viton® *</b> Length: <b>560 mm.</b> <b>Steel insert</b></p>	<p><b>RA 04</b> </p> <p>Profile: <b>NBR * or Viton® *</b> Length: <b>560 mm.</b> <b>Steel insert</b></p>	<p><b>RA 05</b> </p> <p>Profile: <b>NBR * or Viton® *</b> Length: <b>560 mm.</b> <b>Steel insert</b></p>
<p><b>RA 06</b> </p> <p>Profile: <b>NBR * or Viton® *</b> Length: <b>560 mm.</b> <b>Steel insert</b></p>	<p><b>RA 25L</b> </p> <p>Profile: <b>NBR *</b> Length: <b>800 mm.</b> <b>Steel insert</b> <b>Thin metal protective plate in inox steel 301</b></p>	<p><b>RA 39L</b> </p> <p>Profile: <b>NBR * or Viton® *</b> Length: <b>800 mm.</b> <b>Steel insert</b> <b>Thin metal protective plate in inox steel 301</b></p>		

\* Prompt delivery

## RA B WIPERS

RA B Wipers are supplied exclusively in linear strips.

<p><b>RA B1</b> </p> <p>Profile: <b>NBR * or Viton® *</b> Length: <b>560 mm.</b> <b>Steel insert</b></p>	<p><b>RA B2</b> </p> <p>Profile: <b>NBR * or Viton® *</b> Length: <b>560 mm.</b> <b>Steel insert</b></p>	<p><b>RA B3</b> </p> <p>Profile: <b>NBR * or Viton® *</b> Length: <b>560 mm.</b> <b>Steel insert</b></p>
--	--	--

\* Prompt delivery

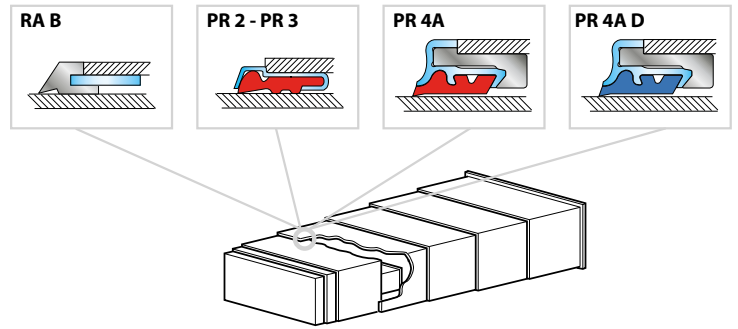
## WIPERS FOR TELESCOPIC STEEL COVERS


These types of wipers are normally applied to telescopic steel covers.

Codes **RA B** consists of a metal insert to which an NBR profile has been vulcanized.


Codes **PR 2** and **PR 3** has steel reinforcement and polyurethane profile.

Codes **PR 4A** and **D** can be instantly replaced on the telescopic cover, without disassembling the cover itself. They have a metal reinforcement with a seal designed to clean the cover.



**PR 2** 

Profile: **Polyurethane** \*  
Length: **3000 mm.**  
**Steel reinforcement**

**PR 3** 

Profile: **Polyurethane** \*  
Length: **3000 mm.**  
**Steel reinforcement**

**PR 4A**

Profile: **Polymeric GM2319**  
Length: **3000 mm.**  
**Steel reinforcement**

**PR 4A D**

Profile: **Polymeric GM2357**  
Length: **3000 mm.**  
**Steel reinforcement**

For working with **COOLANTS**

For **DRY** working

- **Sold ONLY** in standard strip-lengths.
- **Easy replacement** of wiper profile for codes PR 2, PR 3, PR4A and PR 4A - D.
- The polyurethane profile is delivered inserted in the steel reinforcement.
- \* **Prompt delivery** in strips

MATERIALS	Heat Resistance		Synthetic Oil Resistance			Mineral Oil Resistance			Vegetable Oil Resistance			Wear Resistance		
	Momentary contact °C	Continuous °C	Excellent	Good	Poor	Excellent	Good	Poor	Excellent	Good	Poor	Excellent	Good	Poor
NBR	250	-20 ÷ +100		●			●			●			●	
Polyurethane	200	-30 ÷ +90	●			●	●			●		●		
VITON®	1000	-20 ÷ +280	●			●				●			●	
Polymeric GM2319 (red) for working with coolants	200	-30 ÷ +90	●			●				●		●		
Polymeric GM2357 (blue) for dry working	280	-30 ÷ +120	●			●				●		●		

## LINEAR BRUSHES WITH SUPPORT FRAME



Also available via our online-shop: <https://www.pei.it/index.php/en/shop/brushes>

- **Special shapes** may be created
- **The brush** is easy to replace
- The **support frame** is made of **galvanized steel**
- **Prompt delivery** in strips

Code	A	B	C	D	E	F	G	H	Length	Bristle
SN1	32	11	21	17	14	9	9	18	1000	Nylon Ø 0,15
SN2	42	22	20	9	6	26	5	31	2000	Nylon Ø 0,15
SN3	72	40	32	15	10	40	10	50	2000	Nylon Ø 0,25
SN4	92	60	32	15	10	60	10	70	2000	Nylon Ø 0,50
SN5	112	80	32	15	10	80	10	90	2000	Nylon Ø 0,50
SN6	132	100	32	15	10	100	10	110	2000	Nylon Ø 0,50
S01	40	20	20	9	6	24	5	29	2000	Brass Ø 0,15
S02	70	50	20	9	6	54	5	59	2000	Brass Ø 0,15
S03	100	80	20	9	6	84	5	89	2000	Brass Ø 0,15

