



1-162 Flush Latch with Integrated Hinge Function



RoHS
WEEE

DIN
61373



Advantages

- For surface mounted doors.
- Hinge concealed.
- Door bending 23 mm.
- RH and LH Version.
- 120° Opening angle.
- Vibration-proof according to DIN EN 61373.
- Flush latch through insert.
- When using 4 latches, the door can be lifted off completely.

Materials

- **Door- and frame-part:** zinc die, zinc plated
- **Washer, countersunk screw, serrated nut and fastening washer:** steel, zinc plated
- **Washer:** stainless steel
- **Blind plug:** PA6, RAL 7035

Remarks

The fastening of the door-part can be done by welding studs max. M6x8mm.

1. installation instruction for fastening washer
2. blind plug
3. door-notch 92 x 2mm
4. door
5. frame
6. (S) door-thickness max. 8mm



Flush latch

	Part Number	Version	Insert	Installation type frame-part	Installation type door-part	Delivery Unit
a)	243-9218.00-00000	LH version	Square 8mm	Countersunk screw	screw-on	10 pcs.
b)	243-9219.00-00000	LH version	Square 8mm	pressed in stud M6	screw-on	10 pcs.
a)	243-9220.00-00000	LH version	Double bit 3mm pin	Countersunk screw	screw-on	10 pcs.
b)	243-9221.00-00000	LH version	Double bit 3mm pin	pressed in stud M6	screw-on	10 pcs.
a)	243-9226.00-00000	LH version	Square 8mm with arrow	Countersunk screw	screw-on	10 pcs.
b)	243-9228.00-00000	LH version	Square 8mm with arrow	pressed in stud M6	screw-on	10 pcs.
a)	243-9222.00-00000	RH version	Square 8mm	Countersunk screw	screw-on	10 pcs.
b)	243-9223.00-00000	RH version	Square 8mm	pressed in stud M6	screw-on	10 pcs.
a)	243-9224.00-00000	RH version	Double bit 3mm pin	Countersunk screw	screw-on	10 pcs.
b)	243-9225.00-00000	RH version	Double bit 3mm pin	pressed in stud M6	screw-on	10 pcs.
a)	243-9227.00-00000	RH version	Square 8mm with arrow	Countersunk screw	screw-on	10 pcs.
b)	243-9229.00-00000	RH version	Square 8mm with arrow	pressed in stud M6	screw-on	10 pcs.

* Specific accessories

292-0604.00-07035 **Blind plug for prod.-system 1-162**

800-1105.00-00000 **Weld stud M6x8**

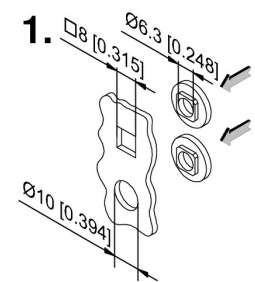
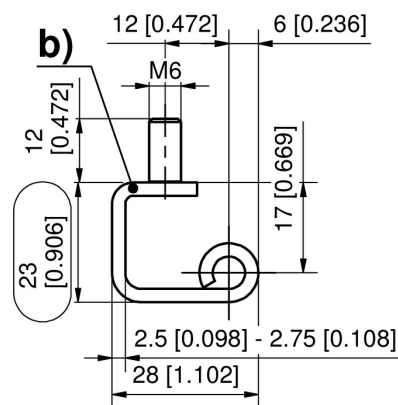
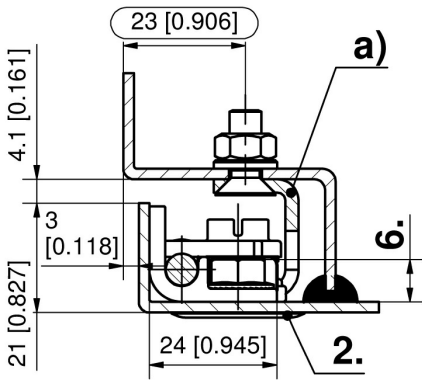
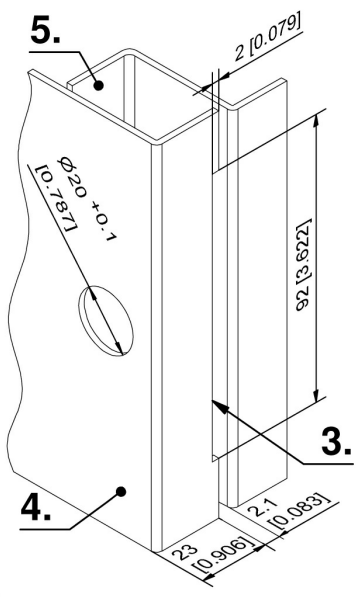
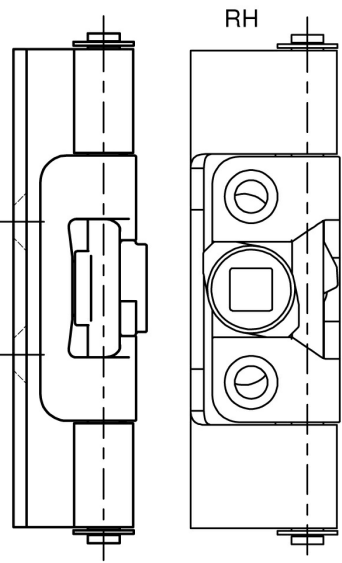
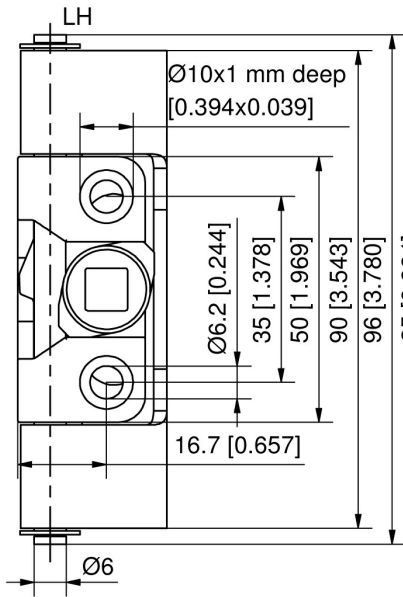
860-B193.00-00006 **Serrated nut M6**

243-0501.00-00000 **Fastening Washer**

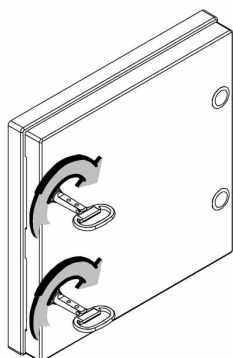
* Accessories

6-100 **Wrench**

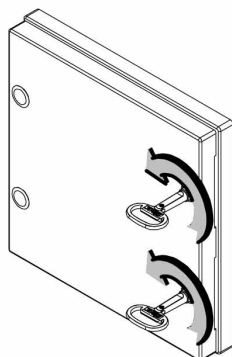
6-101 **Universal Key**



**RH door - door
opens to the right**



**LH door- door
opens to the left**



**door completely
lift-off**

