



# 1-200 Quarter-Turn with Stepped Cam Pr20.1 L18-60



## Advantages

- Quarter-turn with stepped cam. Covers large tolerances and gives greater compression possibilities.
- The locking direction is always clockwise.
- When installed, the arrow must point to the frame. In this case the flat side of the cam is parallel to the frame.
- Marking of housing -" Auf/Zu" (Open/Closed).
- IP65/67 according to DIN EN 60529 by using sealing kit (optional).
- RH / LH application.
- This quarter-turn consists of three basic parts which can be combined to suit your application.
- Housing extension f) for increasing the housing length by 5mm.

## Materials

- **Housing:** zinc die, chrome plated
- **Nut:** steel, zinc plated
- **Adapter, stepped cam and housing extension:** zinc die, untreated

## Remarks

(S) Door-thickness see table  
Sealing kit g) for GL18: 209-9002  
Sealing kit h) from GL30: 209-9006  
When using knobs the adapter is necessary.  
1. arrow pointing towards frame



## Quarter-Turn housing

	Part Number	Housing length	Door-thickness (S)	variable H-dimension	suitable Adapter set	Installation type	Delivery Unit
a)	200-9038.00-00000	18 mm	max. 8 mm	8 - 18 mm		screw-on	10 pcs.
b)	200-9039.00-00000	30 mm	max. 20 mm	20 - 30 mm	L20	screw-on	10 pcs.
b)	200-9040.00-00000	36 mm	max. 26 mm	26 - 36 mm	L26	screw-on	10 pcs.
b)	200-9041.00-00000	40 mm	max. 30 mm	30 - 40 mm	L30	screw-on	10 pcs.
b)	200-9042.00-00000	50 mm	max. 40 mm	40 - 50 mm	L40	screw-on	10 pcs.
b)	200-9047.00-00000	60 mm	max. 50 mm	50 - 60 mm	L50	screw-on	10 pcs.

## Stepped Cam

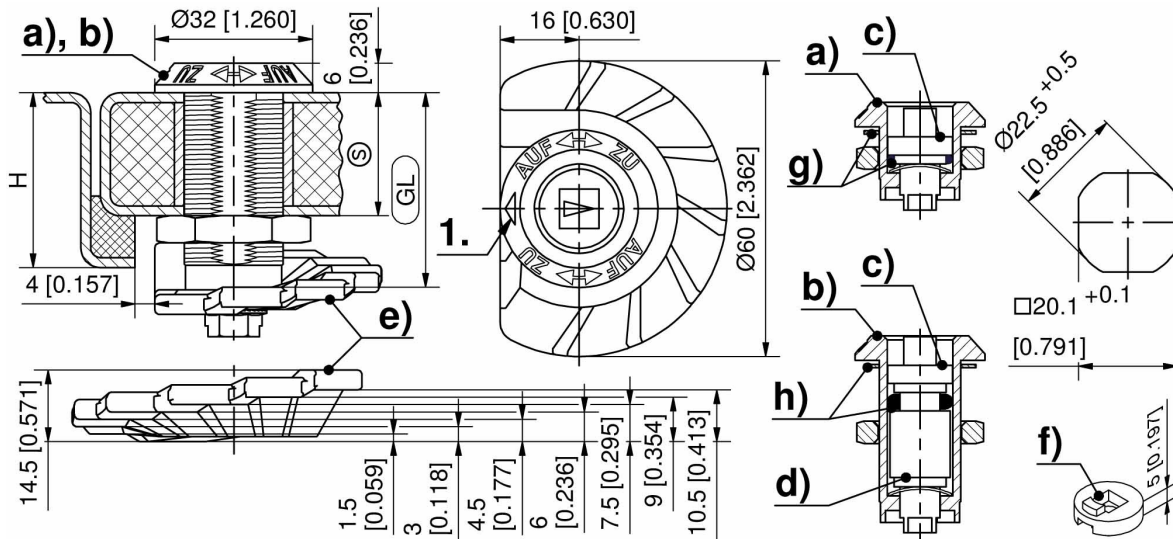
	Part Number	Stop	Delivery Unit
e)	200-2903.00-00000	No	10 pcs.
e)	200-2904.00-00000	Yes	10 pcs.

### + Function extension

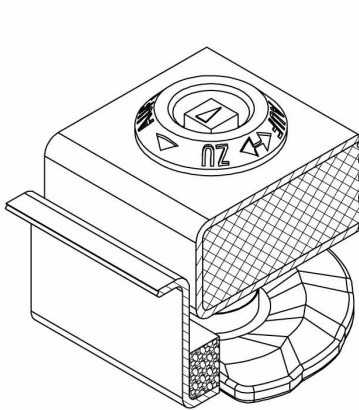
- h) 209-9006.00-00000 **Sealing kit IP65/IP67 for Quarter-Turns Pr20.1 L30-60**
- g) 209-9002.00-00000 **Sealing kit IP65 for Quarter-Turns Pr20.1**

### \* Accessories

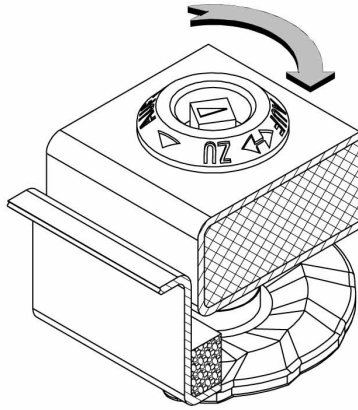
- c) 1-101 **Inserts Pr20.1**
- d) 200-9031.00-00000 **Adapter set L20**
- d) 200-9032.00-00000 **Adapter set L26**
- d) 200-9034.00-00000 **Adapter set L40**
- d) 200-9035.00-00000 **Adapter set L50**
- d) 200-9033.00-00000 **Adapter set L30**
- f) 200-2803.30-00005 **Housing extension**
- 6-101 **Universal Key**
- 6-100 **Wrench**



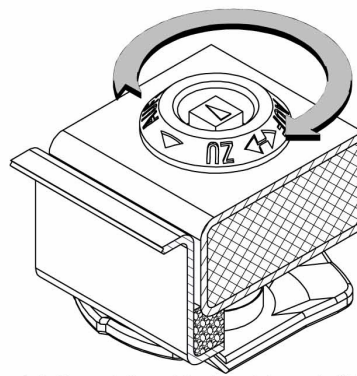
### Operation



open, unlatched position



First rotation of the insert: the cam latches behind the frame into the locked position.



A further rotation of the insert, by up to 270°, will pull the already latched cam up to max. 10.5mm [0.413] towards the frame: the seal is compressed, the door is latched and free of play.