

Knurled grip knobs

Duroplast

MATERIAL

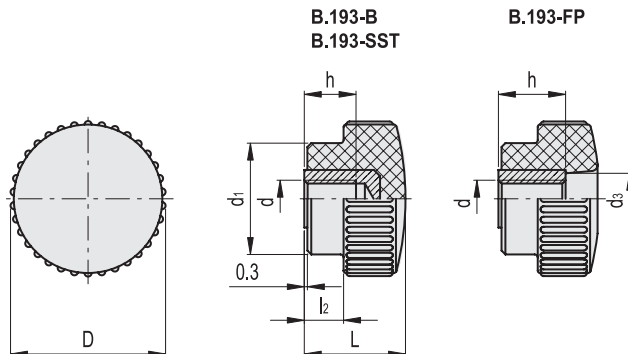
Phenolic based (PF) Duroplast, black colour, glossy finish.

STANDARD EXECUTIONS

- **B.193-B:** brass boss, threaded blind hole.
- **B.193-SST:** AISI 303 stainless steel boss, threaded blind hole.
- **B.193-FP:** brass boss, threaded through hole.
- **B.193-p:** zinc-plated steel threaded stud, chamfered flat end according to UNI 947 : ISO 4753 (see Technical data on page).
- **B.193-SST-p:** AISI 303 stainless steel threaded stud, chamfered flat end according to UNI 947 : ISO 4753 (see Technical data on page).



ELESA Original design



B.193-B

Code	Description	D	d6H	L	d1	l2	h	△
2101	B.193/15 B-M3	15	M3	11	11	2	6	4
2102	B.193/15 B-M4	15	M4	11	11	2	6	4
2103	B.193/15 B-M5	15	M5	11	11	2	6	4
2201	B.193/18 B-M5	18	M5	12	13	3	6	5
2301	B.193/20 B-M6	22	M6	14	15	4	6	9
2401	B.193/25 B-M6	26	M6	18	19	6	10	14
2502	B.193/30 B-M6	31	M6	18	24	6	12	22
2501	B.193/30 B-M8	31	M8	18	24	6	10	21
2601	B.193/35 B-M8	36	M8	23	27	8	10	30
2602	B.193/35 B-M10	36	M10	23	27	8	13	29
2701	B.193/40 B-M10	40	M10	26	29	10	13	39
2801	B.193/50 B-M10	50	M10	32	36	12	17	75
2802	B.193/50 B-M12	50	M12	32	36	12	20	80

B.193-FP

Code	Description	D	d6H	L	d1	d3	l2	h	△
2111	B.193/15 FP-M4	15	M4	11	11	6	2	10	4
2211	B.193/18 FP-M5	18	M5	12	13	7	3	10	6
2311	B.193/20 FP-M6	22	M6	14	15	8	4	11	9
2411	B.193/25 FP-M6	26	M6	18	19	10	6	15	18
2412	B.193/25 FP-M8	26	M8	18	19	10	6	15	16
2511	B.193/30 FP-M6	31	M6	18	24	13	6	15	30
2512	B.193/30 FP-M8	31	M8	18	24	13	6	15	27
2513	B.193/30 FP-M10	31	M10	18	24	13	6	15	24
2514	B.193/30 FP-M12	31	M12	18	24	13	6	15	20
2611	B.193/35 FP-M10	36	M10	22.5	27	14	8	15	34
2612	B.193/35 FP-M12	36	M12	22.5	27	14	8	15	34
2711	B.193/40 FP-M10	40	M10	26	29	14	10	15	41
2712	B.193/40 FP-M12	40	M12	26	29	14	10	15	38
2811	B.193/50 FP-M12	50	M12	32	36	21	12	21	68

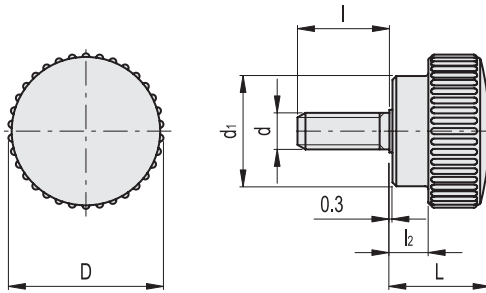
B.193-SST

STAINLESS STEEL

Code	Description	D	d6H	L	d1	l2	h	△
102101	B.193/15 SST-M3	15	M3	11	11	2	6	5
102102	B.193/15 SST-M4	15	M4	11	11	2	6	4
102103	B.193/15 SST-M5	15	M5	11	11	2	6	4
102301	B.193/20 SST-M6	22	M6	14	15	4	6	9
102401	B.193/25 SST-M6	26	M6	18	19	6	10	13
102501	B.193/30 SST-M8	31	M8	18	24	6	10	20



B.193-p
B.193-SST-p



B.193-p

Code	Description	D	d _{6g}	L	d ₁	l	l _z	Δ
2115	B.193/15 p-M3x6	15	M3	11	11	6	2	5
2116	B.193/15 p-M3x10	15	M3	11	11	10	2	5
2117	B.193/15 p-M3x16	15	M3	11	11	16	2	6
2121	B.193/15 p-M4x6	15	M4	11	11	6	2	4
2122	B.193/15 p-M4x10	15	M4	11	11	10	2	5
2123	B.193/15 p-M4x16	15	M4	11	11	16	2	5
2131	B.193/15 p-M5x10	15	M5	11	11	10	2	5
2132	B.193/15 p-M5x16	15	M5	11	11	16	2	6
2133	B.193/15 p-M5x25	15	M5	11	11	25	2	7
2221	B.193/18 p-M5x10	18	M5	12	13	10	3	6
2222	B.193/18 p-M5x16	18	M5	12	13	16	3	7
2224	B.193/18 p-M5x25	18	M5	12	13	25	3	8
2223	B.193/18 p-M5x40	18	M5	12	13	40	3	10
2321	B.193/20 p-M6x10	22	M6	14	15	10	4	10
2322	B.193/20 p-M6x16	22	M6	14	15	16	4	11
2325	B.193/20 p-M6x20	22	M6	14	15	20	4	12
2323	B.193/20 p-M6x25	22	M6	14	15	25	4	13
2326	B.193/20 p-M6x30	22	M6	14	15	30	4	14
2324	B.193/20 p-M6x40	22	M6	14	15	40	4	15
2421	B.193/25 p-M6x16	26	M6	18	19	16	6	16
2422	B.193/25 p-M6x25	26	M6	18	19	25	6	17
2431	B.193/25 p-M8x16	26	M8	18	19	16	6	19
2432	B.193/25 p-M8x25	26	M8	18	19	25	6	22
2521	B.193/30 p-M8x16	31	M8	18	24	16	6	25
2522	B.193/30 p-M8x25	31	M8	18	24	25	6	28
2523	B.193/30 p-M8x40	31	M8	18	24	40	6	32
2621	B.193/35 p-M8x25	36	M8	23	27	25	8	37
2622	B.193/35 p-M8x40	36	M8	23	27	40	8	42
2721	B.193/40 p-M10x30	40	M10	26	29	30	10	58
2821	B.193/50 p-M10x40	50	M10	32	36	40	12	95

B.193-SST-p

STAINLESS STEEL

Code	Description	D	d _{6g}	L	d ₁	l	l _z	Δ
102115	B.193/15-SST-p-M3x6	15	M3	11	11	6	2	5
102116	B.193/15-SST-p-M3x10	15	M3	11	11	10	2	5
102117	B.193/15-SST-p-M3x16	15	M3	11	11	16	2	6
102121	B.193/15-SST-p-M4x6	15	M4	11	11	6	2	5
102122	B.193/15-SST-p-M4x10	15	M4	11	11	10	2	5
102123	B.193/15-SST-p-M4x16	15	M4	11	11	16	2	6
102131	B.193/15-SST-p-M5x10	15	M5	11	11	10	2	5
102132	B.193/15-SST-p-M5x16	15	M5	11	11	16	2	6
102133	B.193/15-SST-p-M5x25	15	M5	11	11	25	2	7
102221	B.193/18-SST-p-M5x10	18	M5	12	13	10	3	7
102222	B.193/18-SST-p-M5x16	18	M5	12	13	16	3	8
102224	B.193/18-SST-p-M5x25	18	M5	12	13	25	3	8
102321	B.193/20-SST-p-M6x10	22	M6	14	15	10	4	10
102322	B.193/20-SST-p-M6x16	22	M6	14	15	16	4	12
102325	B.193/20-SST-p-M6x20	22	M6	14	15	20	4	12
102323	B.193/20-SST-p-M6x25	22	M6	14	15	25	4	13
102326	B.193/20-SST-p-M6x30	22	M6	14	15	30	4	14
102421	B.193/25-SST-p-M6x16	26	M6	18	19	16	6	16
102422	B.193/25-SST-p-M6x25	26	M6	18	19	25	6	19
102521	B.193/30-SST-p-M8x16	31	M8	18	24	16	6	25
102522	B.193/30-SST-p-M8x25	31	M8	18	24	25	6	28
102523	B.193/30-SST-p-M8x40	31	M8	18	24	40	6	32