

Knurled knobs

Duroplast

MATERIAL

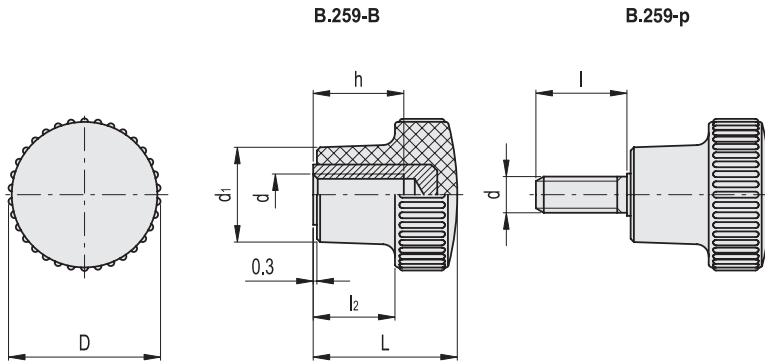
Phenolic based (PF) Duroplast. Black, glossy finish.

STANDARD EXECUTIONS

- **B.259-B:** brass boss, threaded blind hole.
- **B.259-p:** zinc-plated steel threaded stud, chamfered flat end according to UNI 947 : ISO 4753 (see Technical data on page).



ELESA Original design



B.259-B

Code	Description	D	d6H	L	d1	l2	h	⚖
3001	B.259/20 B-M5	21	M5	25	13	12	16	12
3002	B.259/20 B-M6	21	M6	25	13	12	16	11
3111	B.259/25 B-M6	26	M6	28	16	15	16	18
3112	B.259/25 B-M8	26	M8	28	16	15	20	19
3201	B.259/30 B-M6	31	M6	32	19	17	16	25
3202	B.259/30 B-M8	31	M8	32	19	17	20	28
3203	B.259/30 B-M10	31	M10	32	19	17	17	29

B.259-p

Code	Description	D	d6g	L	d1	l	l2	⚖
3011	B.259/20 p-M6x16	21	M6	25	13	16	12	13
3121	B.259/25 p-M8x20	26	M8	28	16	20	15	25
3211	B.259/30 p-M8x25	31	M8	32	19	25	17	38