

BAG2-180



Bipod supports

Technopolymer

MATERIAL

Glass-fibre reinforced polyamide based (PA) technopolymer, black colour, matte finish.

STANDARD EXECUTIONS

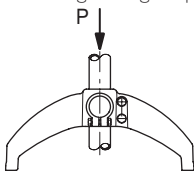
- **BAG2-180-A**: zinc-plated steel M10 screws, nuts and washers.
- **BAG2-180-SST**: AISI 304 stainless steel M10 screws, nuts and washers.

ASSEMBLY ON LEVELLING ELEMENTS

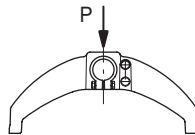
The bipod support bases are supplied with brass bosses, threaded pass-through hole for the assembly of the stem of the levelling element series L.S.A, L.V.A, L.V.F.

FEATURES

The rounded shapes with a modern and elegant aesthetic guarantee maximum cleanability in the event of liquids or dust falling from above. Maximum tightening torque for screw assembly 35 Nm.

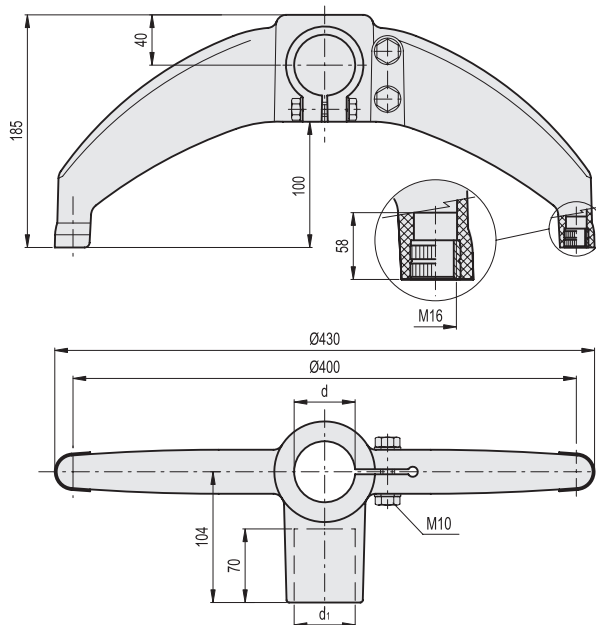


Retention force
P = 2000 N



Max. static load
P = 9800 N

Values obtained with tightening torque 35 Nm



BAG2-180-A

Code	Description	d Tube (mm)	d Tube (GAS)	d1 Tube (mm)	d1 Tube (GAS)	⚖
419630	BAG2-180-42-42-A	42.4	1"1/4	42.4	1"1/4	720
419628	BAG2-180-48-42-A	48.3	1"1/2	42.4	1"1/4	710
419626	BAG2-180-48-48-A	48.3	1"1/2	48.3	1"1/2	700
419624	BAG2-180-60-42-A	60.3	2"	42.4	1"1/4	690
419622	BAG2-180-60-48-A	60.3	2"	48.3	1"1/2	680

BAG2-180-SST

STAINLESS STEEL

Code	Description
419631	BAG2-180-42-42-SST
419629	BAG2-180-48-42-SST
419627	BAG2-180-48-48-SST
419625	BAG2-180-60-42-SST
419623	BAG2-180-60-48-SST