

Tripod supports

Technopolymer

MATERIAL

Glass-fibre reinforced polyamide based (PA) technopolymer, black colour, matte finish.

STANDARD EXECUTIONS

- **BAS3-A:** zinc-plated steel M10 screws, nuts and washers.
- **BAS3-SST:** AISI 304 stainless steel M10 screws, nuts and washers

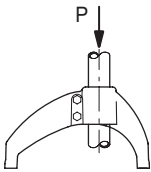
ASSEMBLY ON LEVELLING ELEMENTS

The three bearings of the base are supplied with brass bosses, threaded pass-through hole for the assembly of the stem of the levelling element series LS.A, LV.A, LV.F.

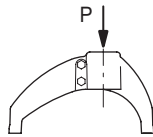
FEATURES

The rounded shapes with a modern and elegant aesthetic guarantee maximum cleanability in the event of liquids or dust falling from above.

Maximum tightening torque for screw assembly 35 Nm.

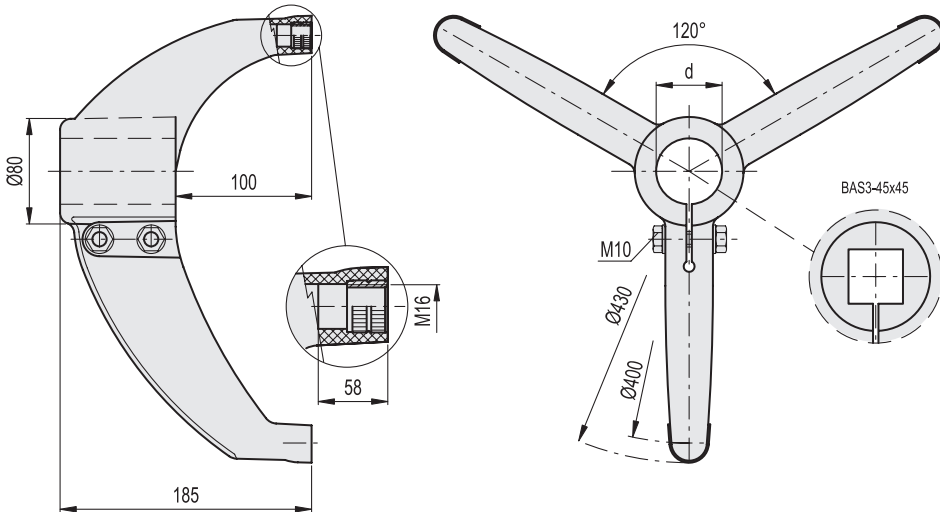


Retention force
P = 2000 N



Max. static load
P = 9800 N

Values obtained with tightening torque 35 Nm



BAS3-A

| Code | Description | d Tube (mm) | d Tube (GAS) | d Tube (inch) | ⚖ |
|--------|--------------|-------------|--------------|---------------|-----|
| 419592 | BAS3-42-A | 42.4 | 1"1/4 | - | 800 |
| 419590 | BAS3-48-A | 48.3 | 1"1/2 | - | 790 |
| 419594 | BAS3-50-A | 50.8 | - | 2" | 780 |
| 419588 | BAS3-60-A | 60.3 | 2" | - | 770 |
| 419752 | BAS3-45x45-A | 45 | - | - | 795 |

BAS3-SST

STAINLESS STEEL

| Code | Description |
|--------|----------------|
| 419593 | BAS3-42-SST |
| 419591 | BAS3-48-SST |
| 419595 | BAS3-50-SST |
| 419589 | BAS3-60-SST |
| 419753 | BAS3-45x45-SST |