

Connecting plate for guides

for GLA and GCA, steel or stainless steel

STANDARD EXECUTIONS

- **BDG**: zinc-plated steel.
- **BDG-SST**: AISI 304 stainless steel.

SCREWS

Zinc-plated steel or stainless steel.

FEATURES AND APPLICATIONS

BDG connecting bar is used for connecting the profiles (Fig.1) of the different side guides (GLA) or central guides (GCA). It is supplied with 4 assembly grub screws M8x10 with hexagon socket.

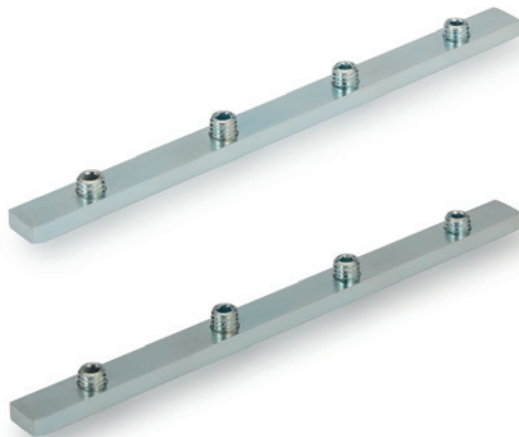
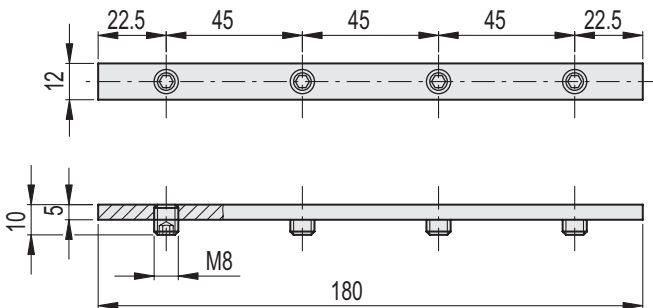
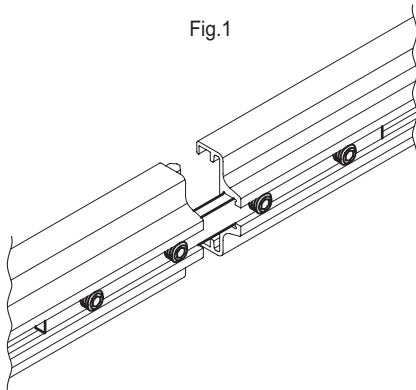


Fig.1



BDG

Code	Description	⚖
419141	BDG-12-180	88

BDG-SST

Code	Description	⚖
419139	BDG-SST-12-180	89