

Bases for spindle locking

for DD52R position indicators, zinc alloy

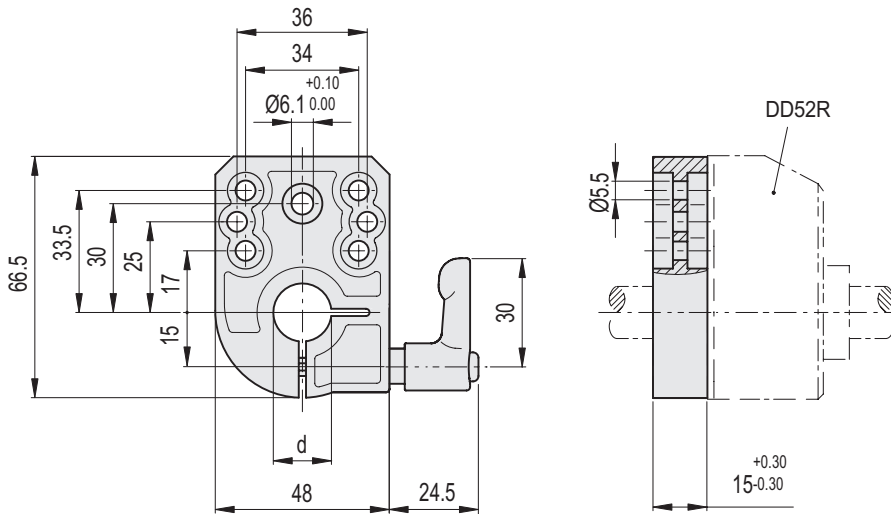
MATERIAL

Die-cast zinc alloy bases for spindle locking, epoxy resin coating, black colour, matte finish.

GN 302.1 adjustable handle with lever body in die-cast zinc alloy, black colour and AISI 303 stainless steel clamping element.

FEATURES AND APPLICATIONS

BSA-N52 locking bases allow an easy and quick locking of the spindles after their positioning. They are equipped with a $\varnothing 6.1$ mm hole to fit the referring pin of the indicator. They can be assembled with the handle either on the right or on the left and can be fitted to the machine by means of two M4 cylindrical-head screws (not included in the supply).



Code	Description	df9	△
CE.87921	BSA-N52-12	12	193
CE.87923	BSA-N52-14	14	189
CE.87924	BSA-N52-15	15	187
CE.87925	BSA-N52-16	16	185
CE.87929	BSA-N52-20	20	175