

Fluted grip knobs

ESD conductive technopolymer

MATERIAL

Glass-fibre reinforced polyamide based (PA) special conductive technopolymer, black colour, matte finish. $10^3 \Omega$ surface resistivity (ASTM D257 trial method), $10^3 \Omega\text{cm}$ volume resistivity (ASTM D257 trial method).

STANDARD EXECUTIONS

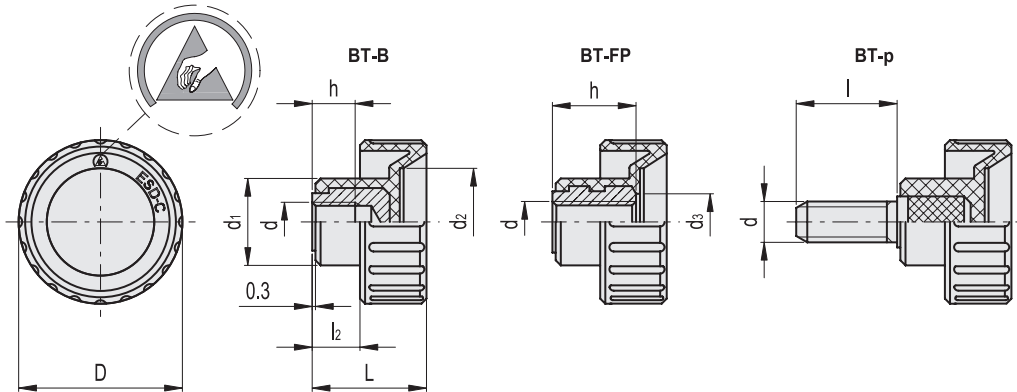
- **BT-B:** brass boss, threaded blind hole.
- **BT-FP:** brass boss, threaded through hole.
- **BT-p:** zinc-plated steel threaded stud, chamfered flat end according to UNI 947 : ISO 4753 (see Technical Data on page A11).

FEATURES AND APPLICATIONS

The special conductive technopolymer (ESD-C Electrostatic Discharge Conductive) prevents the accumulation of electrostatic charge. BT-ESD knobs are suitable for ESD PROTECTED AREA (EPA) where components which are susceptible to electrostatic discharges are to be handled with the minimum risk of damage. The indelibly printed mark (ESD-C) on the surface of the knob identifies the particular conductive feature according to EN 100015/1 and IEC 61340-5-1.



ELESA Original design



Code	Description	D	d6H	L	d1	d2	l2	h	⚖
154121	BT.16 B-M4-ESD-C	16	M4	13	11	9	5	6	5
154221	BT.20 B-M5-ESD-C	20	M5	15	11.5	11	6	6	6
154321	BT.25 B-M6-ESD-C	26	M6	19	16	15	8	8	9
154421	BT.32 B-M8-ESD-C	32	M8	22	17	21	9	10	11

Code	Description	D	d6H	L	d1	d2	d3	l2	h	⚖
154132	BT.16 FP-M5-ESD-C	16	M5	13	11	9	6	5	10	5
154232	BT.20 FP-M6-ESD-C	20	M6	15	11.5	11	7	6	12	7
154332	BT.25 FP-M8-ESD-C	26	M8	19	16	15	9	8	14	11
154432	BT.32 FP-M10-ESD-C	32	M10	22	17	21	11	9	16	13

Code	Description	D	d6g	L	d1	d2	l	l2	⚖
154151	BT.16 p-M5x10-ESD-C	16	M5	13	11	9	10	5	6
154152	BT.16 p-M5x16-ESD-C	16	M5	13	11	9	16	5	6
154251	BT.20 p-M6x10-ESD-C	20	M6	15	11.5	11	10	6	9
154252	BT.20 p-M6x16-ESD-C	20	M6	15	11.5	11	16	6	11
154253	BT.20 p-M6x25-ESD-C	20	M6	15	11.5	11	25	6	16
154351	BT.25 p-M8x16-ESD-C	26	M8	19	16	15	16	8	15
154352	BT.25 p-M8x25-ESD-C	26	M8	19	16	15	25	8	18
154451	BT.32 p-M10x20-ESD-C	32	M10	22	17	21	20	9	25
154452	BT.32 p-M10x30-ESD-C	32	M10	22	17	21	30	9	28

