

## Hinges

### SUPER-technopolymer

#### MATERIAL

Glass-fibre reinforced polyamide (PA) SUPER-technopolymer, black or grey colour RAL 7040 (C33), matte finish.

#### ROTATING PIN

Glass-fibre reinforced polyamide based (PA) technopolymer, black or grey colour RAL 7040 (C33).

#### ASSEMBLY KIT (SEE ASSEMBLY):

- 425948 CFMW - KIT RICAMBIO NERO ACCESSORI
- 425949 CFMW - KIT RICAMBIO GRIGIO ACCESSORI
- n°4 technopolymer covers (fig.1).
- n°4 technopolymer bushings (fig.2 and fig.3).

#### MOUNTING

CFMW. hinge can be assembled in three different modes:

- With M6 UNI 5933 ISO 10642 countersunk-head screw (not supplied) and screw cover supplied in the kit (fig. 1) to avoid free access to screws.
- With cylindrical-head screw with hexagon socket M6 UNI 5931 ISO 4762 (not supplied) to set with the bushing supplied in the kit (fig.2).
- With M6 UNI 5588 ISO 4032 nut (not supplied) and the bushing supplied in the kit (fig.3). This kind of assembly makes the hinge totally tamper-proof preventing any tampering.

#### FEATURES AND APPLICATIONS

The different assembly options make this product easy to install on the most common aluminium profiles (30 mm minimum side). CFMW. hinge can be assembled with CFSW. hinge with built-in safety switch. CFSW. (see page ).

#### ROTATION ANGLE (APPROXIMATE VALUE)

Max 180° (0° and +180° being 0° the condition where the two interconnected surfaces are on the same plane).

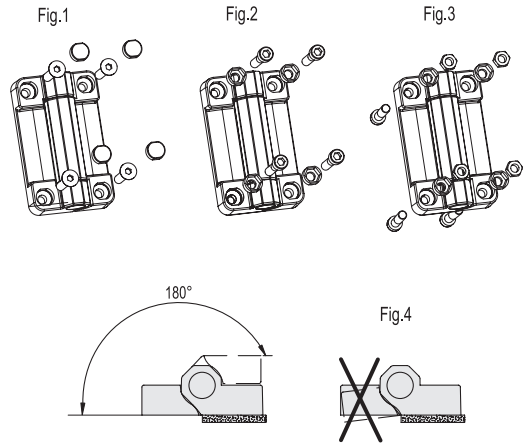
Do not exceed the rotation angle limit so as not to prejudice the hinge mechanical performance.

The condition where the two interconnected surfaces are on the same plane is to be strictly verified because the hinge must not be stressed by any negative angle (fig.4).

To choose the convenient type and the right number of hinges for your application, see the Guidelines (on page ).



ELESA Original design

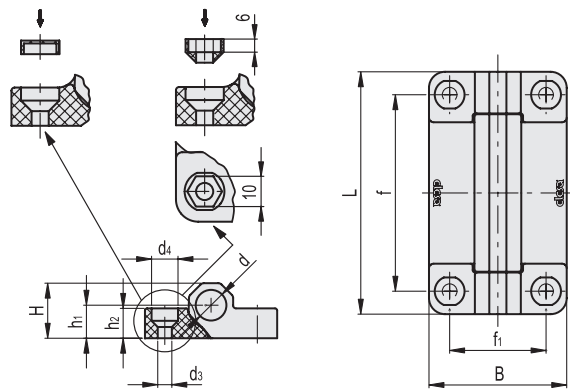


|                  | AXIAL STRESS                    | RADIAL STRESS                   | 90° ANGLED STRESS                |
|------------------|---------------------------------|---------------------------------|----------------------------------|
| Resistance tests |                                 |                                 |                                  |
| Description      | Max. limit stati load<br>Sa [N] | Max. limit stati load<br>Sr [N] | Max. limit stati load<br>S90 [N] |
| CFMW.70          | 2100                            | 2800                            | 1300                             |
| CFMW.110         | 2100                            | 2800                            | 1300                             |

The max static load is the value above which the material may break thus prejudicing the hinge functionality use. Obviously, a suitable factor, according to the importance and the safety level of the specific application must be applied to this value.



Hinges 12



| Code   | Description   | Code       | Description       | L   | B  | f<br>±0.25 | f1<br>±0.25 | H  | h1 | h2 | d    | d3  | d4 | C#<br>[Nm] | Δ   |
|--------|---------------|------------|-------------------|-----|----|------------|-------------|----|----|----|------|-----|----|------------|-----|
| 425951 | CFMW.70-SH-6  | 425951-C33 | CFMW.70-SH-6-C33  | 70  | 60 | 50         | 42          | 25 | 15 | 15 | 13.5 | 6.5 | 12 | 5          | 80  |
| 425956 | CFMW.110-SH-6 | 425956-C33 | CFMW.110-SH-6-C33 | 110 | 60 | 91         | 42          | 25 | 15 | 15 | 12   | 6.5 | 12 | 5          | 125 |

# Suggested tightening torque for assembly screws.