

Latches for cabinets

with handle for rod controls, technopolymer and zinc alloy

HANDLE

Glass-fibre reinforced polyamide based (PA) technopolymer, black colour, matte finish.

BASE

Nickel-plated zamac.

PACKING RING

Silicon directly applied under the handle base.

HANDLE SHANK

Chrome-plated zinc alloy with NBR synthetic rubber O-ring.

ROD CONTROL

Chrome-plated zinc alloy.

STANDARD EXECUTIONS

European style stator.

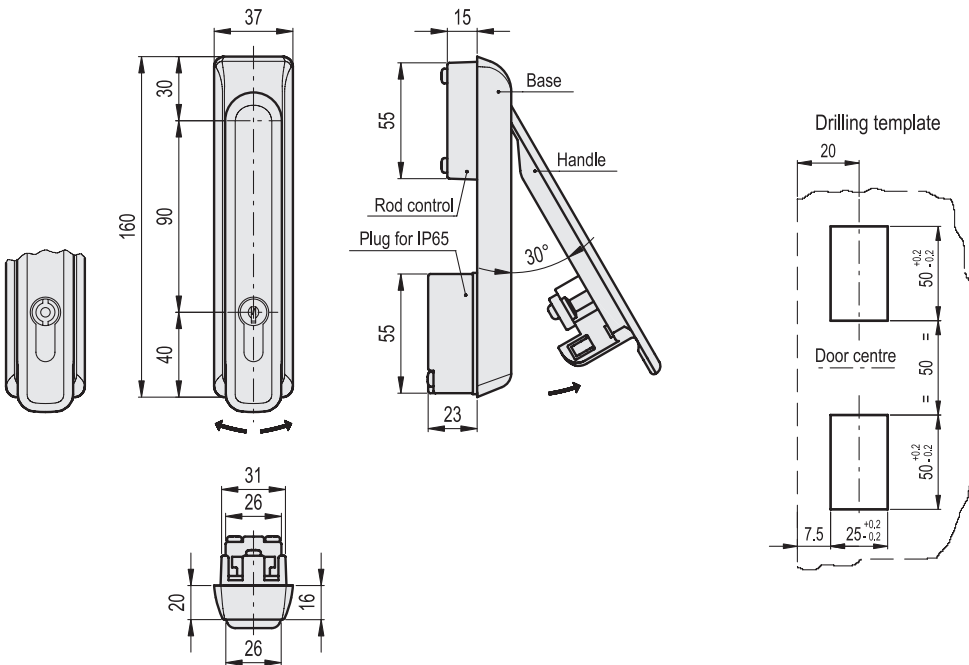
- **CLCU-EU**: lock with one combination. All locks have a couple of keys in nickel-plated brass and the same combination which can be opened with the same key removable at 180°.

Index to add to the above mentioned executions:

- **IP**: executions with protection plug and packing ring with IP 65 protection class, according to table EN 60529 (see page -), with two zinc-plated setting screws, supplied.

ACCESSORIES ON REQUEST

- One pair of black technopolymer rod guides.
- One pair of flat galvanised steel rods.
- One pair of zinc-alloy connecting bars.



Code	Description	⚙️
421113	CLCU.160-EU	418
421123	CLCU.160-EU-IP	430