

Hinges for narrow jambs and thin doors

Aluminium

MATERIAL

Anodized aluminium, black or natural colour, matte finish.

ROTATING PIN

AISI 304 stainless steel.

GUIDE BUSHINGS FOR PIN

Polyamide based (PA) technopolymer.

ASSEMBLY SCREWS

Stainless steel self-tapping screws 4,8x15,9 DIN 7982 (frame side) and stainless steel M5x10 semi-rounded head screws (door side). Included in the supply.

STANDARD EXECUTIONS

- **CMDX-AL-P**: with bodies on the same plane.
 - **CMDX-AL-R**: with raised body.
 - **CMDX-AL-PS**: with bodies on the same plane, opening to the left side.
 - **CMDX-AL-RS**: with raised body, opening to the left side.
 - **CMDX-AL-PD**: with bodies on the same plane, opening to the right side.
 - **CMDX-AL-RD**: with raised body, opening on the right side.
- Index for finish:
- **AN**: anodised in natural colour.
 - **AB**: anodised in black colour.

FEATURES AND APPLICATIONS

The hinge is made up of two bodies with different dimensions (a narrow one and a larger one) and can be assembled for example on structures with thin frame or door. Supplied not assembled for an easy fixing.

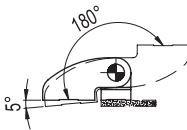
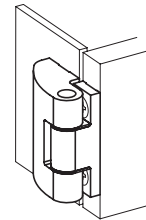
ROTATION ANGLE (APPROXIMATE VALUE)

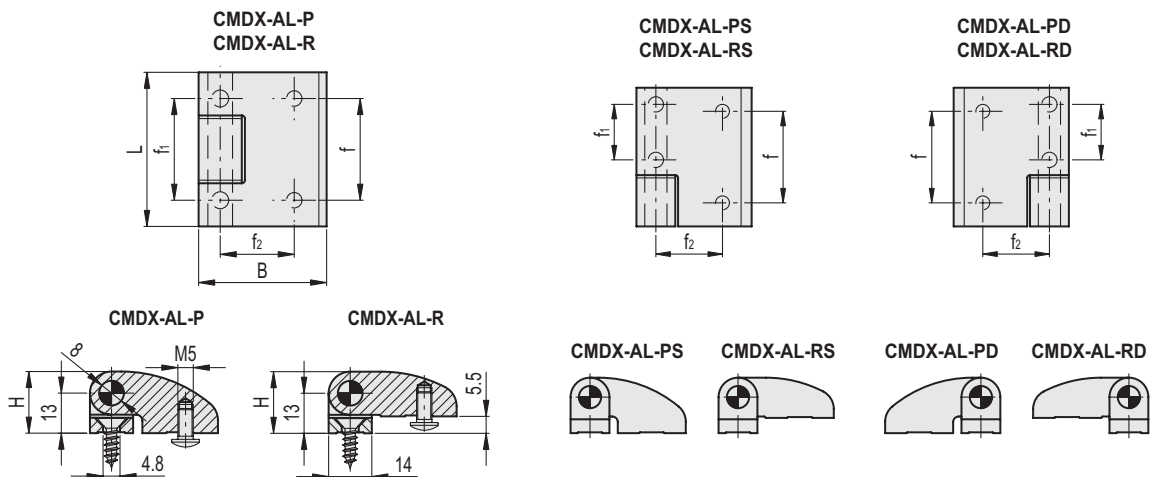
Max 185° (-5° and +180° being 0° the condition where the two hinged surfaces are on the same plane).

Do not exceed the rotation angle limit so as not to damage the hinge.



ELESA Original design





CMDX-AL-P

Code	Description	L	B	f	f ₁	f ₂	H	△
428321	CMDX-AL-P-50-AN	50	41.5	33	33	24	20	112
428325	CMDX-AL-P-70-AN	70	41.5	50	50	24	20	156
428329	CMDX-AL-P-90-AN	90	41.5	70	70	24	20	193
428322	CMDX-AL-P-50-AB	50	41.5	33	33	24	20	112
428326	CMDX-AL-P-70-AB	70	41.5	50	50	24	20	156
428330	CMDX-AL-P-90-AB	90	41.5	70	70	24	20	193

CMDX-AL-R

Code	Description	L	B	f	f ₁	f ₂	H	△
428341	CMDX-AL-R-50-AN	50	41.5	33	33	24	20	102
428345	CMDX-AL-R-70-AN	70	41.5	50	50	24	20	141
428349	CMDX-AL-R-90-AN	90	41.5	70	70	24	20	177
428342	CMDX-AL-R-50-AB	50	41.5	33	33	24	20	102
428346	CMDX-AL-R-70-AB	70	41.5	50	50	24	20	141
428350	CMDX-AL-R-90-AB	90	41.5	70	70	24	20	177

CMDX-AL-PS

Code	Description	L	B	f	f ₁	f ₂	H	△
428366	CMDX-AL-PS-50-AN	50	41.5	33	20	24	20	112
428367	CMDX-AL-PS-50-AB	50	41.5	33	20	24	20	112

CMDX-AL-RS

Code	Description	L	B	f	f ₁	f ₂	H	△
428376	CMDX-AL-RS-50-AN	50	41.5	33	20	24	20	103
428377	CMDX-AL-RS-50-AB	50	41.5	33	20	24	20	103

CMDX-AL-PD

Code	Description	L	B	f	f ₁	f ₂	H	△
428361	CMDX-AL-PD-50-AN	50	41.5	33	20	24	20	112
428362	CMDX-AL-PD-50-AB	50	41.5	33	20	24	20	112

CMDX-AL-RD

Code	Description	L	B	f	f ₁	f ₂	H	△
428371	CMDX-AL-RD-50-AN	50	41.5	33	20	24	20	103
428372	CMDX-AL-RD-50-AB	50	41.5	33	20	24	20	103

