

Lever latches

with recessed key, zinc alloy

STATOR AND ROTOR

Nickel-plated zinc alloy.

NUT

For threaded stator M19X1 = brass.

For threaded stator M22x 1.5 = zinc-plated zinc alloy.

SHAPED CLOSING LEVER

Zinc-plated steel.

For threaded stator M19X1, thickness = 2.5 mm.

For threaded stator M22x 1.5, thickness = 3 mm.

SPRING WASHER

Zinc-plated steel.

PACKING RING

For threaded stator M19X1 = PVC.

For threaded stator M22x 1.5 = SBR rubber.

SCREW

M5x8 zinc-plated steel.

KEY

Polyamide based (PA) technopolymer.

ROTATION

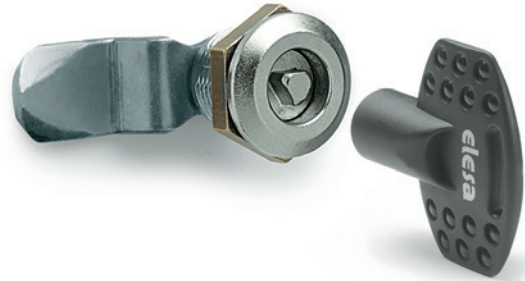
90°.

IP PROTECTION

IP 65 protection class, according to table EN 60529 (see page A23).

STANDARD EXECUTIONS:

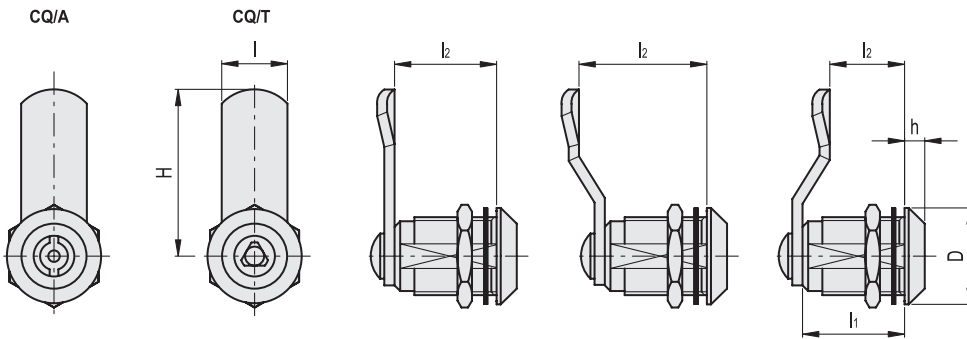
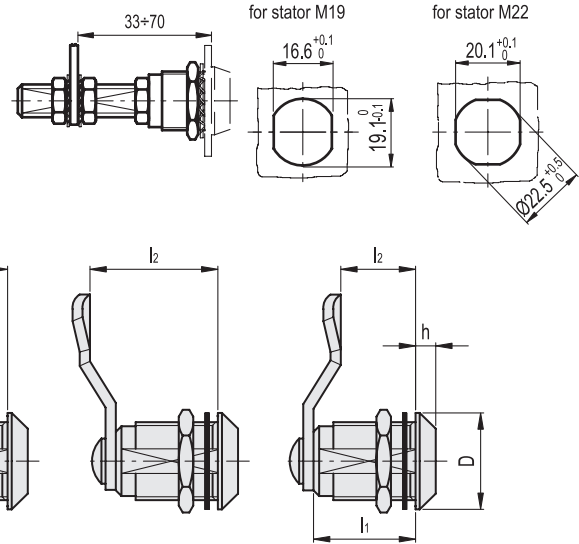
- **CQ/A:** two-wing groove for key.
- **CQ/T:** triangular groove for key.



SPECIAL EXECUTIONS AND ACCESSORIES

- Closing levers in other dimensions.
- Latches and keys supplied separately.
- Brass threaded extension for prolonged positioning of the lever (code 421137 C.PQ M5/58).

Drilling templates



CQ/A		CQ/T		D	H	l	l1	l2	h	Δ
Code	Description	Code	Description							
421301	CQ/A-M19x1-36-20	421341	CQ/T-M19x1-36-20	22	35.5	16	20	20	4	73
421303	CQ/A-M19x1-36-25	421343	CQ/T-M19x1-36-25	22	35.5	16	20	25	4	75
421305	CQ/A-M19x1-36-30	421345	CQ/T-M19x1-36-30	22	35.5	16	20	30	4	79
421307	CQ/A-M19x1-36-35	421347	CQ/T-M19x1-36-35	22	35.5	16	20	35	4	83
421313	CQ/A-M22x1.5-45-16	421353	CQ/T-M22x1.5-45-16	28	45	20	20	16	4	85
421315	CQ/A-M22x1.5-45-18	421355	CQ/T-M22x1.5-45-18	28	45	20	20	18	4	87
421311	CQ/A-M22x1.5-45-20	421351	CQ/T-M22x1.5-45-20	28	45	20	20	20	4	83
421317	CQ/A-M22x1.5-45-24	421357	CQ/T-M22x1.5-45-24	28	45	20	20	24	4	91
421319	CQ/A-M22x1.5-45-28	421359	CQ/T-M22x1.5-45-28	28	45	20	20	28	4	93
421321	CQ/A-M22x1.5-45-30	421361	CQ/T-M22x1.5-45-30	28	45	20	20	30	4	94
421323	CQ/A-M22x1.5-45-32	421363	CQ/T-M22x1.5-45-32	28	45	20	20	32	4	95

