

Lever latches

with recessed key, stainless steel

STATOR AND ROTOR

AISI 304 stainless steel.

SHAPED CLOSING LEVER

AISI 304 stainless steel, 4 mm thickness.

NUT

M22X1.5 AISI 304 stainless steel.

PACKING RING

Transparent silicone rubber VMQ O-Ring, hardness 70 Shore A.

INTERNAL GASKETS

Silicone rubber VMQ O-Ring, hardness 70 Shore A.

SCREW

M6X10 AISI 304 stainless steel.

KEY

Polyamide based (PA) technopolymer.

ROTATION

90°.

IP PROTECTION

IP66 and IP69K protection class.

STANDARD EXECUTIONS

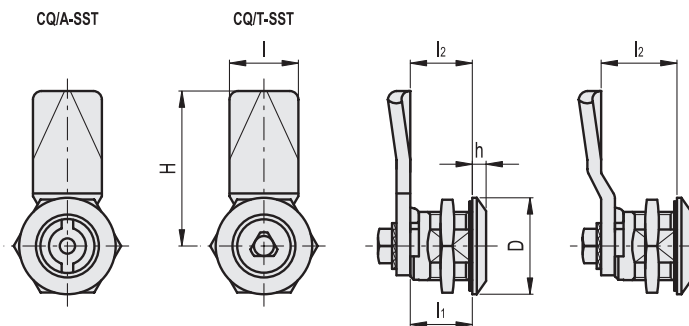
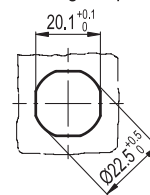
- CQ/A-SST: two-wing groove for key.
- CQ/T-SST: triangular groove for key.

SPECIAL EXECUTIONS ON REQUEST

- Closing levers in other dimensions.
- Latches and keys supplied separately.
- Laser engravings on the latch front.



Drilling template



CQ/A-SST

STAINLESS STEEL

Code	Description	D	H	l	l1	l2	h	⚖
421331	CQ/A-45-18-SST	28	45	20	18	18	4	88
421337	CQ/A-45-24-SST	28	45	20	18	24	4	95

CQ/T-SST

STAINLESS STEEL

Code	Description	D	H	l	l1	l2	h	⚖
421371	CQ/T-45-18-SST	28	45	20	18	18	4	91
421377	CQ/T-45-24-SST	28	45	20	18	24	4	98