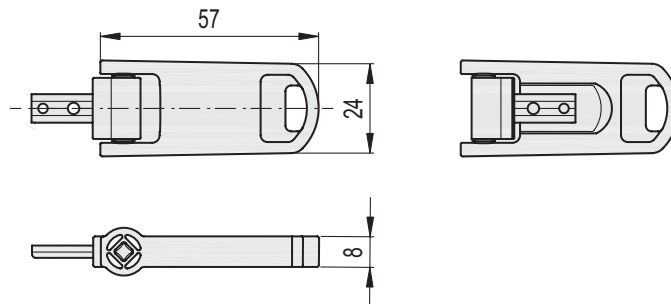
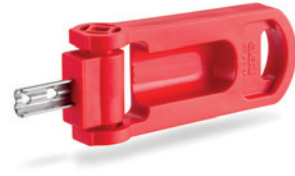


## Fold-away key for SFW-VP

Technopolymer and stainless steel

### MATERIAL

Acetal resin-based (POM) technopolymer, red colour, with stainless steel anti-intrusion-profile insert.



Code	Description	
6953	CWL	10