

Spacer sleeves

for M.1043, technopolymer

MATERIAL

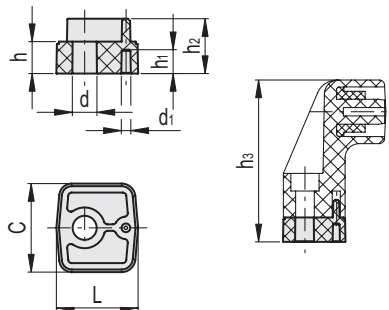
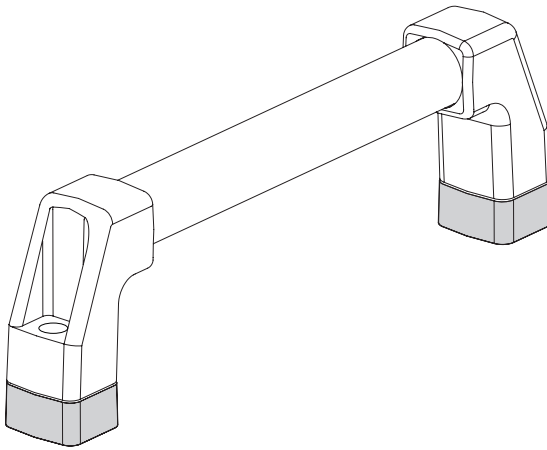
Polyamide based (PA) technopolymer, black colour, matte finish.

FEATURES AND APPLICATIONS

Spacer sleeves for side shank with connection for tube $\varnothing 30$ have been designed to increase the distance between the handle and the fitting surface.



ELESA Original design



Code	Description	L	d	d1	h	h1	h2	h3	C	For handle	Δ
15291	DS-M.1043/30-10	35	10.5	4	10	6	20	88	38	M.1043/20 / M.1043 BM/20	14
15293	DS-M.1043/30-20	35	10.5	4	20	16	30	98	38	M.1043/30 / M.1043 BM/30	23

