

## Screw-covers

for EBP., EBP.FLX, EBP-L, M.479, EBR. and EBR-CH, technopolymer

### MATERIAL

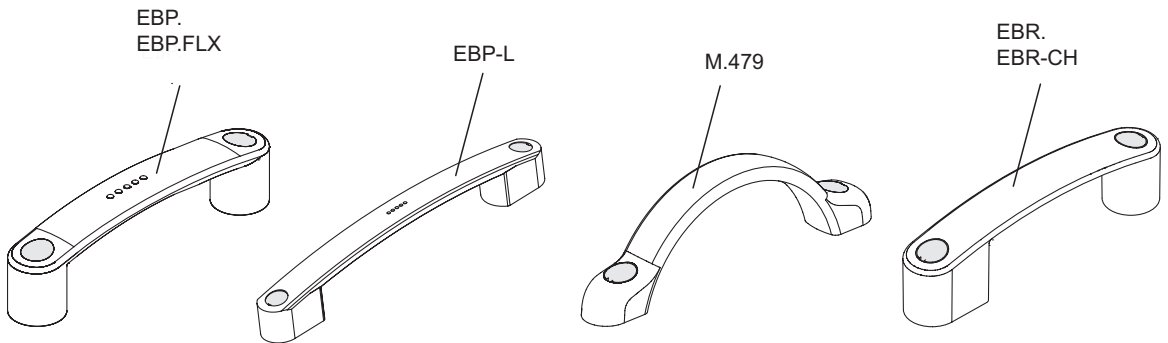
Glass-fibre reinforced polyamide based (PA) technopolymer, in Elecolors colours, matte finish.

### ASSEMBLY

Press-fit assembly, removable by a screwdriver.



ERGOSTYLE®



\* Complete with colour index, example: 29830-C2 ECA.B0-C2



### ECA.B

Code	Description	Cap for	⚖️
29830-*	ECA.B0-*	EBP.110	1
29831-*	ECA.B1-*	EBP.140/150/180/200 / M.479/150 / EBR.150	1
29832-*	ECA.B2-*	EBP-L	2