

Covers

for EVH., technopolymer

MATERIAL

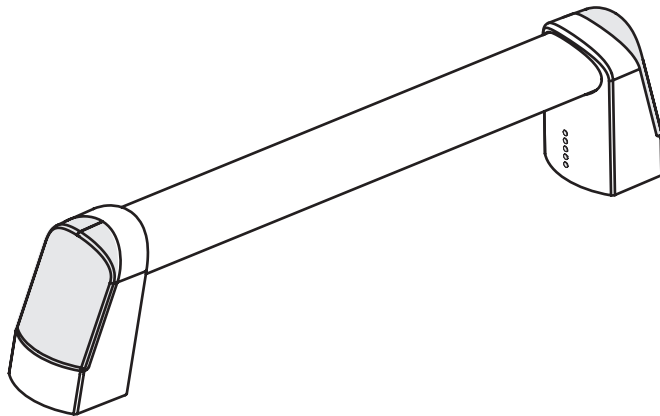
Polyamide based (PA) technopolymer, in Elecolors colours and white similar to RAL 9002 (CLEAN), glossy finish.
Press-fit assembly.

ASSEMBLY

Press-fit assembly, removable by a screwdriver.



ERGOSTYLE®



* Complete with colour index, example: 29873-C2 ECA.V-C2

C1	C2	C3	C4	C5	C6	C17
RAL7021	RAL2004	RAL7035	RAL1021	RAL5024	RAL3000	RAL6017

Code	Description	Cap for	
29873-*	ECA.V-*	EVH.	1