



Operating elements 1

Hub cap

for EKH., technopolymer

MATERIAL

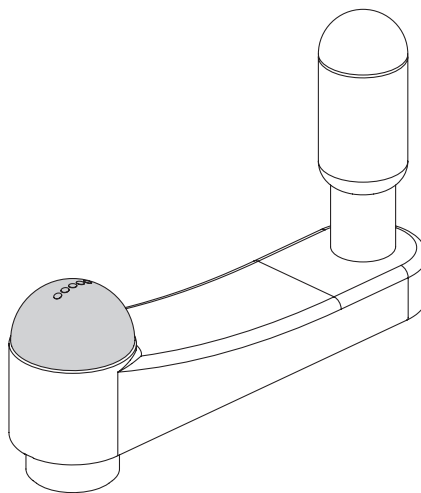
Glass-fibre reinforced polyamide based (PA) technopolymer, in Elecolors colours, matte finish.

ASSEMBLY

Press-fit assembly.



ERGOSTYLE®



* Complete with colour index, example: 29633-C2 ECM.K3-C2

C1 RAL7021
 C2 RAL2004
 C3 RAL7035
 C4 RAL1021
 C5 RAL5024
 C6 RAL3000

Code	Description	Hub cap for	
29633-*	ECM.K3-*	EKH.100	1
29634-*	ECM.K4-*	EKH.125	1