

Control levers

arranged for clicking operation, technopolymer

MATERIAL

Glass-fibre reinforced polyamide based (PA) technopolymer, grey-black colour, matte finish.

BOSS CAP

Glass-fibre reinforced polyamide based (PA) technopolymer, matte finish, press-fit assembly. Supplied, removable by a screwdriver.

STANDARD EXECUTIONS

- **ELC:** black-oxide steel boss, H7 reamed hole, cap in the Ergostyle colours.
- **ELC-FC3:** black-oxide steel boss, H7 reamed hole, cap in RAL 7035 light grey colour, with arrow indicator.
- **ELC-SST:** AISI 303 stainless steel boss, H7 reamed hole, cap in the Ergostyle colours.
- **ELC-SST-FC3:** AISI 303 stainless steel boss, H7 reamed hole, cap in RAL 7035 light grey colour, with arrow indicator.

ERGONOMY

Rotations are performed smoothly and powerfully thanks to the heavy-duty arm of the lever, while the enlarged and sunken semispherical end offers an effective grip.

MANOEUVRE ANGLE LIMITATION

A limited manoeuvre angle is possible by fitting stop pins in the rear guide slot.

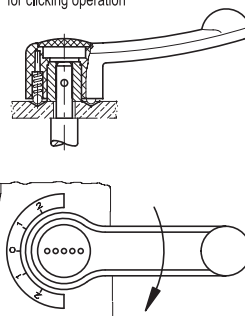
ACCESSORIES ON REQUEST

- GN 184: axial retaining washer in black-oxide steel (see page).
- MS.: ball and spring for clicking operation to be fitted into the two holes d3 drilled at 180° (see ball and spring on page).
- ECB.T: glass-fibre reinforced polyamide based (PA) technopolymer boss cap, in Elecolors colour, matte finish, press-fit assembly (see table).
- ECBF.T: glass-fibre reinforced polyamide based (PA) technopolymer boss cap, RAL 7035 light grey colour, with arrow indicator, press-fit assembly (see table).



Assembly example

by means of ball and spring for clicking operation



C1	C2	C3	C4	C5	C6	C17
RAL7021	RAL2004	RAL7035	RAL1021	RAL5024	RAL3000	RAL6017

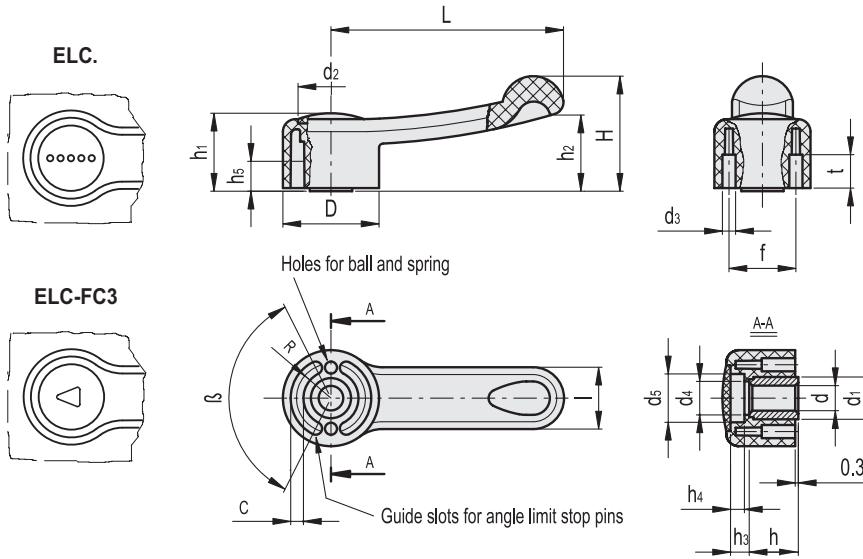
ECB.T

Code	Description	Boss cap for
29551-*	ECB.T1-*	ELC.67
29552-*	ECB.T2-*	ELC.85
29553-*	ECB.T3-*	ELC.110
29554-*	ECB.T4-*	ELC.140

* Complete with colour index (C1, ..., C6).

ECBF.T

Code	Description	Boss cap for
29551-FC3	ECB.T1-FC3	ELC.67
29552-FC3	ECB.T2-FC3	ELC.85
29553-FC3	ECB.T3-FC3	ELC.110
29554-FC3	ECB.T4-FC3	ELC.140



* Complete with colour index, example: 212121-C2 ELC.67 A-6-C2

C1	C2	C3	C4	C5	C6	C17
RAL7021	RAL2004	RAL7035	RAL1021	RAL5024	RAL3000	RAL6017

ELC.

Code	Description	D	dH7	L	H	h	h1	h2	h3	h4	h5	d1	d2	d3*	d4	d5	l	R	t	c	β	f	Δ
212121-*	ELC.67 A-6-*	32	6	67	35	16	24	24	5	3	10	15	22.5	4	10	16	20	12	9	4	125±1°	24	50
212131-*	ELC.85 A-8-*	37	8	85	41	17.5	27	27	7.5	5	10	18	26	5	13.5	20	23	13.8	12.5	4.3	125±1°	26	63
212141-*	ELC.110 A-12-*	46	12	110	54	22	35	36	10	8	10	22	31.5	6	17	25.5	29	17.5	15.5	6.5	125±1°	32	129
212151-*	ELC.140 A-14-*	54	14	140	60	27	38	38	8.5	6	10	26	36	8	21	31	34	20.2	16	7	125±1°	39	145

ELC-FC3

Code	Description	D	dH7	L	H	h	h1	h2	h3	h4	h5	d1	d2	d3*	d4	d5	l	R	t	c	β	f	Δ
212121-FC3	ELC.67 A-6-FC3	32	6	67	35	16	24	24	5	3	10	15	22.5	4	10	16	20	12	9	4	125±1°	24	50
212131-FC3	ELC.85 A-8-FC3	37	8	85	41	17.5	27	27	7.5	5	10	18	26	5	13.5	20	23	13.8	12.5	4.3	125±1°	26	63
212141-FC3	ELC.110 A-12-FC3	46	12	110	54	22	35	36	10	8	10	22	31.5	6	17	25.5	29	17.5	15.5	6.5	125±1°	32	129
212151-FC3	ELC.140 A-14-FC3	54	14	140	60	27	38	38	8.5	6	10	26	36	8	21	31	34	20.2	16	7	125±1°	39	145

ELC-SST

STAINLESS STEEL

Code	Description	D	dH7	L	H	h	h1	h2	h3	h4	h5	d1	d2	d3*	d4	d5	l	R	t	c	β	f	Δ
212161-*	ELC.67-SST-6-*	32	6	67	35	16	24	24	5	3	10	15	22.5	4	10	16	20	12	9	4	125±1°	24	50
212171-*	ELC.85-SST-8-*	37	8	85	41	17.5	27	27	7.5	5	10	18	26	5	13.5	20	23	13.8	12.5	4.3	125±1°	26	63
212181-*	ELC.110-SST-12-*	46	12	110	54	22	35	36	10	8	10	22	31.5	6	17	25.5	29	17.5	15.5	6.5	125±1°	32	129
212191-*	ELC.140-SST-14-*	54	14	140	60	27	38	38	8.5	6	10	26	36	8	21	31	34	20.2	16	7	125±1°	39	145

ELC-SST-FC3

STAINLESS STEEL

Code	Description	D	dH7	L	H	h	h1	h2	h3	h4	h5	d1	d2	d3*	d4	d5	l	R	t	c	β	f	Δ
212161-FC3	ELC.67-SST-6-FC3	32	6	67	35	16	24	24	5	3	10	15	22.5	4	10	16	20	12	9	4	125±1°	24	50
212171-FC3	ELC.85-SST-8-FC3	37	8	85	41	17.5	27	27	7.5	5	10	18	26	5	13.5	20	23	13.8	12.5	4.3	125±1°	26	63
212181-FC3	ELC.110-SST-12-FC3	46	12	110	54	22	35	36	10	8	10	22	31.5	6	17	25.5	29	17.5	15.5	6.5	125±1°	32	129
212191-FC3	ELC.140-SST-14-FC3	54	14	140	60	27	38	38	8.5	6	10	26	36	8	21	31	34	20.2	16	7	125±1°	39	145

