

Flush pull handles for screw mounting, technopolymer

MATERIAL

Glass-fibre reinforced polyamide based (PA) technopolymer, grey-black colour, matte finish.

Screw-cover

- ECO.R: polyester based technopolymer (PBT) in Elecolors colours, glossy finish, press-fit assembly. Supplied, removable by a screwdriver (Fig.1).

Available also as accessory sold separately (see table).

STANDARD EXECUTIONS

Pass-through holes for AISI 304 stainless steel self-tapping screws according to ISO 7050 Ø 2.9x9.5 mm, supplied (see Assembly instructions).

EPR-SH: open cavity handle without flap.

EPR-F-SH: handle with grey-black technopolymer flap, matte finish, stainless steel return spring.

ERGONOMY AND DESIGN

A modern design thanks to the compact shape. The internal profile of the cavity offers a safe, comfortable and ergonomic grip. The coloured screw cover improves the visibility of the handle and offers the possibility of product customization.

The flap is a unique feature for closing completely the recess and opens by simply putting the hand into.

TECHNICAL DATA

The lifting (F1) and pull out (F2) resistance values reported in the table are the result of the tests carried out in laboratory with handles assembled on strengthened metal sheet panels with thickness = 1.5 mm (strengthened for test purposes).

DRILLING TEMPLATE

On panels with thickness (s) exceeding 2.5 mm, we recommend you to fit the handle following one of the here-under reported ways:

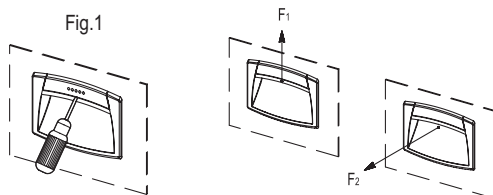
- by two self-tapping screws in the bores "d";
- by two countersunk head screws M3x6 after tapping the bores in the panel;
- by two countersunk head screws M3x10 with nuts, after drilling blind holes Ø 3.2 mm.

C1	C2	C3	C4	C5	C6	C17
RAL7021	RAL2004	RAL7035	RAL1021	RAL5024	RAL3000	RAL6017

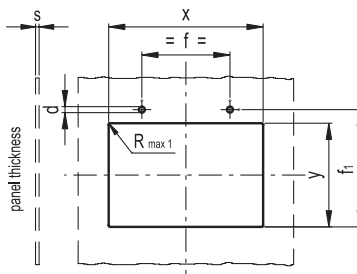
ECO.R

Code	Description	Screw-cover for
29851-*	ECO.R1-*	EPR.110
29852-*	ECO.R2-*	EPR.120

* Complete with colour index (C1, ..., C6).



Drilling template
(remove all drilling burrs before fitting the handle)



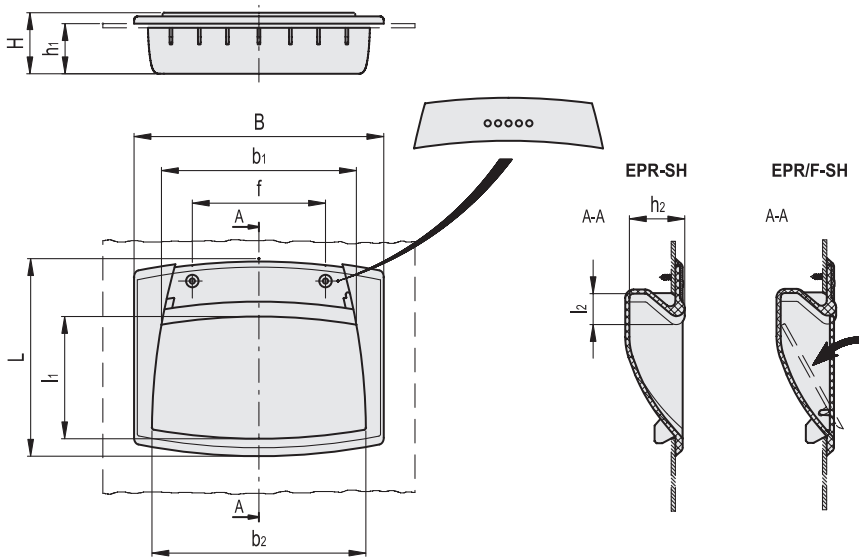
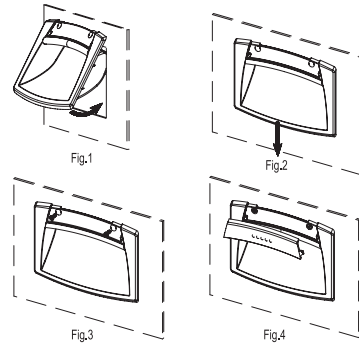
s	EPR.110					EPR.120				
	x	y	f	f1	x	y	f	f1	d	
1+1.2	100.5 ^{+0.2}	52 ^{+0.5}	64 ^{±0.1}	55.5 ^{±0.1}	107.5 ^{+0.2}	73 ^{+0.5}	64 ^{±0.1}	76.8 ^{±0.1}	2.5 ^{±0.02}	
>1.2+1.5	100.5 ^{+0.2}	52.2 ^{+0.5}	64 ^{±0.1}	55.7 ^{±0.1}	107.5 ^{+0.2}	73 ^{+0.5}	64 ^{±0.1}	77 ^{±0.1}	2.55 ^{±0.02}	
>1.5+2	100.5 ^{+0.2}	52.5 ^{+0.5}	64 ^{±0.1}	56 ^{±0.1}	107.5 ^{+0.2}	73 ^{+0.5}	64 ^{±0.1}	77.2 ^{±0.1}	2.6 ^{±0.02}	
>2+2.5	100.5 ^{+0.2}	52.7 ^{+0.5}	64 ^{±0.1}	56.2 ^{±0.1}	107.5 ^{+0.2}	74 ^{+0.5}	64 ^{±0.1}	77.5 ^{±0.1}	2.65 ^{±0.02}	
>2.5+3	100.5 ^{+0.2}	53 ^{+0.5}	64 ^{±0.1}	56.5 ^{±0.1}	107.5 ^{+0.2}	74 ^{+0.5}	64 ^{±0.1}	77.8 ^{±0.1}	2.65 ^{±0.02}	
>3+3.5	100.5 ^{+0.2}	53.2 ^{+0.5}	64 ^{±0.1}	56.7 ^{±0.1}	107.5 ^{+0.2}	74 ^{+0.5}	64 ^{±0.1}	78.1 ^{±0.1}	2.7 ^{±0.02}	
>3.5+4	100.5 ^{+0.2}	53.4 ^{+0.5}	64 ^{±0.1}	56.9 ^{±0.1}	107.5 ^{+0.2}	75 ^{+0.5}	64 ^{±0.1}	78.4 ^{±0.1}	2.7 ^{±0.02}	
>4+4.5	100.5 ^{+0.2}	53.6 ^{+0.5}	64 ^{±0.1}	57.1 ^{±0.1}	107.5 ^{+0.2}	75 ^{+0.5}	64 ^{±0.1}	78.7 ^{±0.1}	2.7 ^{±0.02}	
>4.5+5	100.5 ^{+0.2}	53.8 ^{+0.5}	64 ^{±0.1}	57.3 ^{±0.1}	107.5 ^{+0.2}	75 ^{+0.5}	64 ^{±0.1}	79 ^{±0.1}	2.7 ^{±0.02}	



DRILLING TEMPLATE

On panels with thickness (s) exceeding 2.5 mm, we recommend you to fit the handle following one of the here-under reported ways:

- by two self-tapping screws in the bores "d";
- by two countersunk head screws M3x6 after tapping the bores in the panel;
- by two countersunk head screws M3x10 with nuts, after drilling blind holes Ø 3.2 mm.



*Complete with colour index, example: 261091-C2 EPR.110-SH-C2

- C1**
RAL7021
- C2**
RAL2004
- C3**
RAL7035
- C4**
RAL1021
- C5**
RAL5024
- C6**
RAL3000
- C17**
RAL6017

Code	Description	B	f	L	H	h1	h2	b1	b2	l1	l2	F1 [N]	F2 [N]	⚖
261091-*	EPR.110-SH-*	109	64	73	24	20	21.5	90	96	42	9	1300	500	39
261121-*	EPR.120-SH-*	120	64	95	28.5	24	26.5	94	103	58	11	1200	400	55
261131-*	EPR.120/F-SH-*	120	64	95	28.5	24	26.5	94	103	-	11	1200	400	70

