

Bi-directional flush pull handles

for snap-in assembly, technopolymer certified self-extinguishing

MATERIAL

Glass-fibre reinforced polyamide based (PA) technopolymer certified self-extinguishing UL-94 V0, grey-black colour, matte finish.

FEATURES AND APPLICATIONS

ERB-PF bi-directional flush pull handles are suitable to open and close sliding doors. The ergonomics of the cavity offers a safe and comfortable grip.

TECHNICAL DATA

The "V0" certification in accordance with UL-94 V (Underwriters Laboratories) (see Technical Data on page A5) indicates that on a plastic test sample with specific shape and dimensions, in the vertical position, the flame is extinguished within 10 seconds, without generating any incandescent drops.

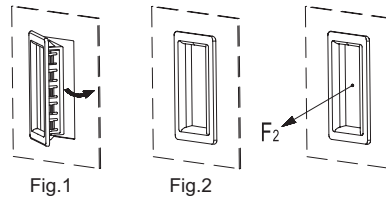
The pull out resistance value (F2) reported in the table is the result of laboratory tests carried out with the handle assembled on a panel with a thickness of 1,5 mm, stiffened for testing purposes.

ASSEMBLY INSTRUCTIONS

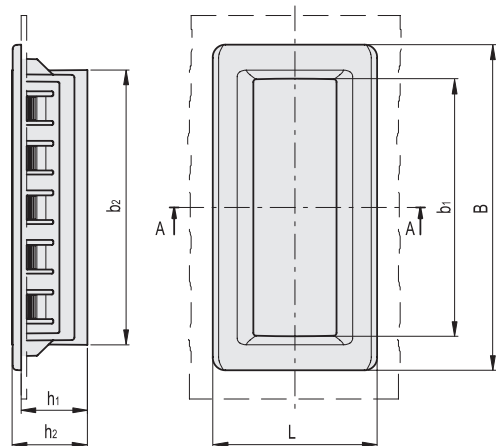
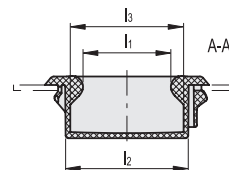
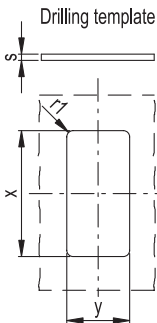
1. Drill the handle housing according to the template dimensions reported in the table.
2. Remove all drilling burrs before fitting the handle.
3. Fit the side of the handle with fixed toothing into the housing (Fig. 1).
4. Press onto the opposite side (elastic toothing) until the handle is completely snapped in (Fig. 2).



ELESA Original design



ERB-PF-AE-V0		
S	X	Y
0,7 - 1	105,7 +0,2	51,7 + 0,2
> 1 - 1,5	105,7 +0,2	51,8 + 0,2
> 1,5 - 2,2	105,7 +0,2	52,2 + 0,2



Code	Description	B	L	h1	h2	b1	b2	l1	l2	l3	F2 [N]	⚖️
150901-C1	ERB.115-PF-AE-V0-C1	115	58	19	22	91	94	31	43.5	40	600	42

