

## Bi-directional flush pull handle

for snap-in assembly, technopolymer, easy cleaning

### MATERIAL

Glass-fibre reinforced polyamide based (PA) technopolymer, white colour similar to RAL 9002, matte finish.

### STANDARD EXECUTION

Snap-in assembly (see Assembly Instructions).

### FEATURES AND APPLICATIONS

ERB-PF-CLEAN bi-directional flush pull handles are suitable to open and close sliding doors. The ergonomics of the cavity offers a safe and comfortable grip.

ERB-PF-CLEAN in white colour is suitable for applications on medical and hospital equipment and food processing machines.

### TECHNICAL DATA

The pull out resistance values (F2) reported in the table are the result of laboratory tests carried out with the handle assembled on a panel with a thickness of 1.5 mm, stiffened for testing purposes.

### ASSEMBLY INSTRUCTIONS

1. Drill the handle housing according to the template dimensions.
2. Remove all drilling burrs before fitting the handle.
3. Fit the side of the handle with fixed tothing into the housing (Fig. 1).
4. Press onto the opposite side (elastic tothing) until the handle is completely snapped in (Fig. 2).



ELESA Original design

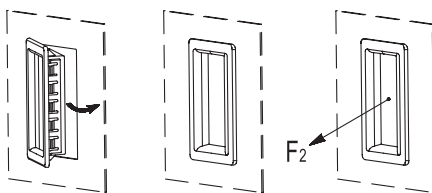
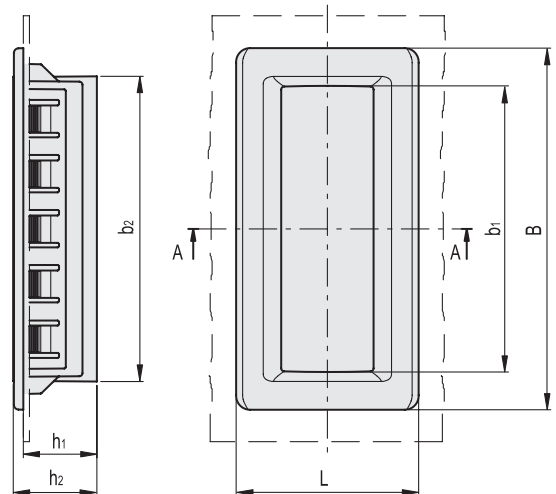
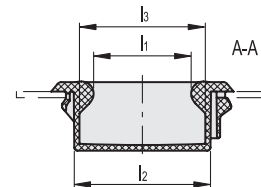
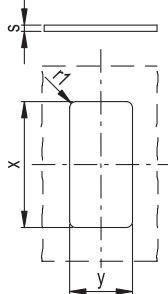


Fig.1

Fig.2  
Drilling template



S	X	Y
0,7 - 1	105,3 +0,2	51,5 + 0,2
>1 - 1,5	105,3 +0,2	51,7 + 0,2
>1,5 - 2,2	105,3 +0,2	52,0 + 0,2

Code	Description	B	L	h1	h2	b1	b2	l1	l2	l3	F2 [N]	⚖️
151301	ERB.115-PF-CLEAN	115	58	19	22	91	94	31	43.5	40	600	42