

## Bi-directional flush pull handle for snap-in assembly, technopolymer

### MATERIAL

Glass-fibre reinforced polyamide based (PA) technopolymer grey-black colour, matte finish.

### STANDARD EXECUTION

Snap-in assembly (see Assembly Instructions).

### FEATURES AND APPLICATIONS

ERB-PF bi-directional flush pull handles are suitable to open and close sliding doors. The ergonomics of the cavity offers a safe and comfortable grip.

### TECHNICAL DATA

The pull out resistance values (F2) reported in the table are the result of laboratory tests carried out with the handle assembled on a panel with a thickness of 1.5 mm, stiffened for testing purposes.

### ASSEMBLY INSTRUCTIONS

1. Drill the handle housing according to the template dimensions.
2. Remove all drilling burrs before fitting the handle.
3. Fit the side of the handle with fixed toothing into the housing (Fig. 1).
4. Press onto the opposite side (elastic toothing) until the handle is completely snapped in (Fig. 2).



ELESA Original design

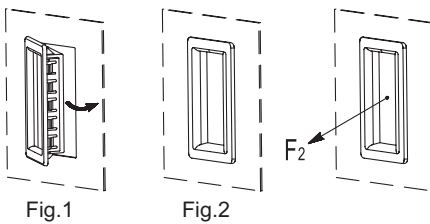
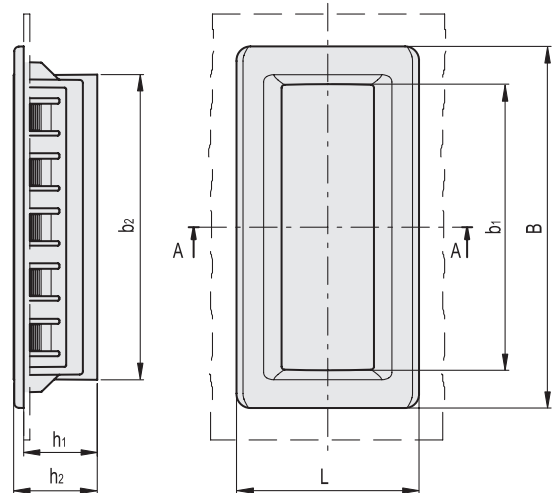
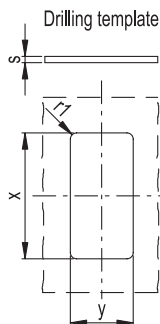
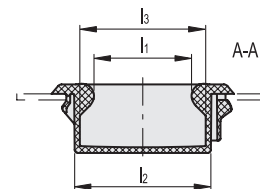


Fig.1

Fig.2



S	X	Y
0,7 - 1	105,3 +0,2	51,5 + 0,2
>1 - 1,5	105,3 +0,2	51,7 + 0,2
>1,5 - 2,2	105,3 +0,2	52,0 + 0,2

Code	Description	B	L	h1	h2	b1	b2	l1	l2	l3	F2 [N]	⚖️
261401-C1	ERB.115-PF-C1	115	58	19	22	91	94	31	43,5	40	600	42