

## Adjustable handles

### Visually Detectable technopolymer, stainless steel clamping element

#### LEVER BODY

Glass-fibre reinforced polyamide based (PA) technopolymer, RAL 5005 blue colour, matte finish.

Produced from FDA compliant raw material (FDA CFR.21 and EU 10/2011).

Built-in zinc alloy toothed insert for coupling to the metal clamping element.

#### STANDARD EXECUTIONS

- **ERZ-SST-VD**: AISI 303 stainless steel clamping element with threaded hole and retaining screw. AISI 302 stainless steel return spring.

- **ERZ-SST-p-VD**: AISI 303 stainless steel clamping element with threaded stud and retaining screw. AISI 302 stainless steel return spring.

Retaining screw with six-lobed socket to fit TORX®\*.

#### FEATURES AND APPLICATIONS

The RAL 5005 blue colour is easily visible in case of accidental food contamination.

Particularly suitable for applications in the food and pharmaceutical industries.

Particularly suitable when the lever turning angle is limited owing to lack of space.

The metal teeth of the built-in zinc alloy insert allow the assembly of clamping elements completely made out of metal, which can be easily modified by machining in case of special assembly requirements.

#### INSTRUCTIONS OF USE

For clamping, lift the lever to disengage the clamping device teeth and bring it back to start position. By releasing the lever, the return spring automatically engages the teeth.

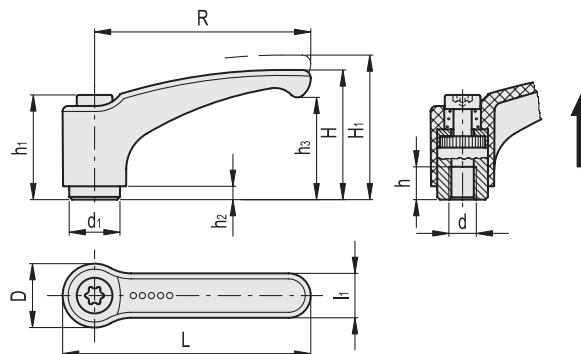
If the lever cannot make a 360° rotation, the clamping element can be easily screwed by means of the six-lobed socket front head screw (after having disengaged the lever).

\* Registered trademark by TEXTRON INC.



ERGOSTYLE®

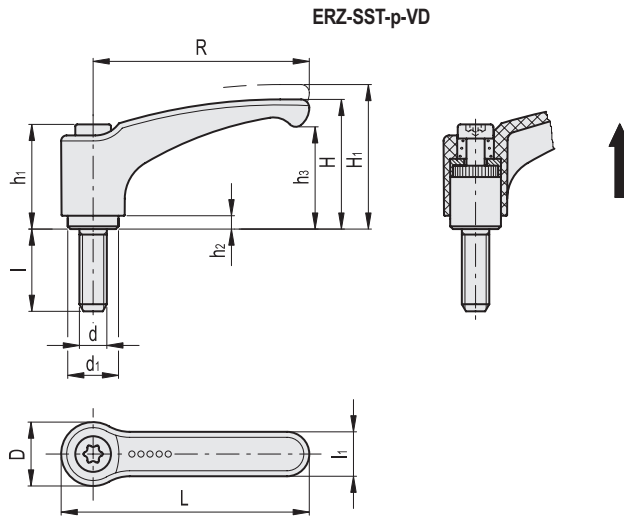
ERZ-SST-VD



#### ERZ-SST-VD

STAINLESS STEEL

Code	Description	R	d	L	D	H	H1	h	h1	h2	h3	d1	l1	Teeth no.	⚖
193105	ERZ.44-SST-M5-VD	44	M5	52	16	30.5	34	8	24.5	3.5	22.5	10	11	18	16
193135	ERZ.63 SST-M6-VD	63	M6	72.5	19	38.5	42	10	31	3.5	30	13.5	13.5	24	36
193155	ERZ.78 SST-M8-VD	79	M8	91.5	24.5	45	50.5	14	36	3.5	35	16	16	26	61
193175	ERZ.95-SST-M10-VD	95	M10	108	26	56.5	61.5	17	43	5	45	19	18	28	93



**ERZ-SST-p-VD**

**STAINLESS STEEL**

Code	Description	R	d	L	D	H	H1	h1	h2	h3	d1	l	l1	Teeth no.	⚖
193233	ERZ.44-SST-p-M5x12-VD	44	M5	52	16	30.5	34	24.5	3.5	22.5	10	12	11	18	17
193235	ERZ.44-SST-p-M5x16-VD	44	M5	52	16	30.5	34	24.5	3.5	22.5	10	16	11	18	18
193237	ERZ.44-SST-p-M5x20-VD	44	M5	52	16	30.5	34	24.5	3.5	22.5	10	20	11	18	19
193239	ERZ.44-SST-p-M5x25-VD	44	M5	52	16	30.5	34	24.5	3.5	22.5	10	25	11	18	20
193241	ERZ.44-SST-p-M5x32-VD	44	M5	52	16	30.5	34	24.5	3.5	22.5	10	32	11	18	21
193429	ERZ.63-SST-p-M6x16-VD	63	M6	72.5	19	38.5	42	31	3.5	30	13.5	16	13.5	24	40
193431	ERZ.63-SST-p-M6x20-VD	63	M6	72.5	19	38.5	42	31	3.5	30	13.5	20	13.5	24	41
193433	ERZ.63-SST-p-M6x25-VD	63	M6	72.5	19	38.5	42	31	3.5	30	13.5	25	13.5	24	42
193435	ERZ.63-SST-p-M6x32-VD	63	M6	72.5	19	38.5	42	31	3.5	30	13.5	32	13.5	24	43
193437	ERZ.63-SST-p-M6x40-VD	63	M6	72.5	19	38.5	42	31	3.5	30	13.5	40	13.5	24	44
193439	ERZ.63-SST-p-M6x50-VD	63	M6	72.5	19	38.5	42	31	3.5	30	13.5	50	13.5	24	46
193673	ERZ.78-SST-p-M8x20-VD	79	M8	91.5	24.5	45	50.5	36	3.5	35	16	20	16	26	69
193675	ERZ.78-SST-p-M8x25-VD	79	M8	91.5	24.5	45	50.5	36	3.5	35	16	25	16	26	72
193677	ERZ.78-SST-p-M8x32-VD	79	M8	91.5	24.5	45	50.5	36	3.5	35	16	32	16	26	76
193679	ERZ.78-SST-p-M8x40-VD	79	M8	91.5	24.5	45	50.5	36	3.5	35	16	40	16	26	80
193681	ERZ.78-SST-p-M8x50-VD	79	M8	91.5	24.5	45	50.5	36	3.5	35	16	50	16	26	84
193683	ERZ.78-SST-p-M8x63-VD	79	M8	91.5	24.5	45	50.5	36	3.5	35	16	63	16	26	89
193823	ERZ.95-SST-p-M10x20-VD	95	M10	108	26	56.5	61.5	43	5	45	19	20	18	28	113
193825	ERZ.95-SST-p-M10x25-VD	95	M10	108	26	56.5	61.5	43	5	45	19	25	18	28	115
193827	ERZ.95-SST-p-M10x32-VD	95	M10	108	26	56.5	61.5	43	5	45	19	32	18	28	118
193829	ERZ.95-SST-p-M10x40-VD	95	M10	108	26	56.5	61.5	43	5	45	19	40	18	28	121
193831	ERZ.95-SST-p-M10x50-VD	95	M10	108	26	56.5	61.5	43	5	45	19	50	18	28	128
193833	ERZ.95-SST-p-M10x63-VD	95	M10	108	26	56.5	61.5	43	5	45	19	63	18	28	133



3  
Clamping levers