

Tubular handles

Oval cross section, technopolymer and aluminium, easy cleaning

HANDLE SHANKS

Glass-fibre reinforced polyamide based (PA) technopolymer, white colour similar to RAL 9002, matte finish.

COVERS

ECA.V: Polyamide based (PA) technopolymer, white colour similar to RAL 9002, glossy finish, press-fit assembly. Supplied, removable by a screwdriver.

Available also as accessory sold separately (see table).

STANDARD EXECUTION

Pass-through holes for cylindrical-head screws with hexagon socket, hexagonal-head screws or standard lock nuts.

Aluminium tube, coating in white colour similar to RAL 9002, glossy finish.

Suggested tightening torque:

- back mounting with plain holes: 8 [Nm]
- front mounting with plain or tapped holes: 15 [Nm].

ERGONOMY AND DESIGN

The large diameter of the tube offers a good and comfortable grip.

ERGOSTYLE® ELESA Original design

TECHNICAL DATA

Tensile stress: F2 values reported in the table are the result of breaking tests carried out with the appropriate dynamometric equipment under the test conditions shown in the figure with ambient temperature.

SPECIAL EXECUTIONS ON REQUEST

Different lengths.

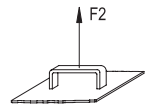
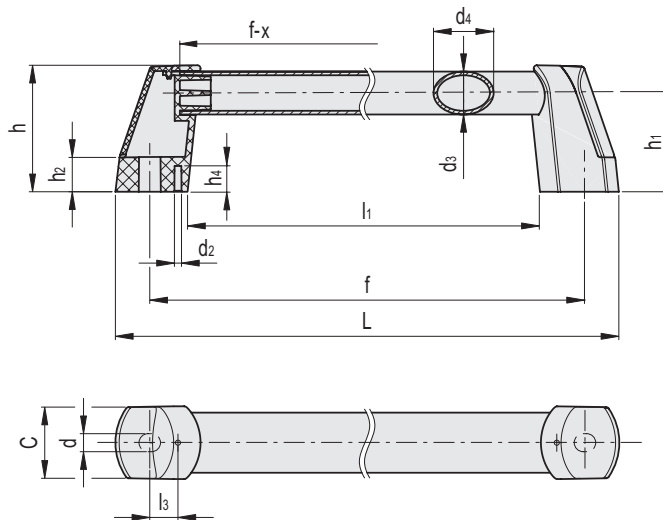


ACCESSORIES ON REQUEST

ECA.V: polyamide based (PA) technopolymer closing caps, white similar to RAL 9002 (CLEAN), glossy finish, press-fit assembly.

ECA.V

Code	Description	Cover for
29873	ECA.V-CLEAN	EVH-CLEAN



Code	Description	d2	d3	f±1	L	d	d4	h	h1	h2	h4	l1	l3	C	x	F2 [N]*	F2 [N]#	⚖️
150811	EVH.300-CLEAN	4	25	300	340	10.5	35	74	57.5	20	15	256	16.4	42.5	35	3200	4200	235
150813	EVH.350-CLEAN	4	25	350	390	10.5	35	74	57.5	20	15	306	16.4	42.5	35	3000	3500	268
150815	EVH.400-CLEAN	4	25	400	440	10.5	35	74	57.5	28	15	356	16.4	42.5	35	2700	3100	456
150817	EVH.500-CLEAN	4	25	500	540	10.5	35	74	57.5	20	15	456	16.4	42.5	35	2100	2400	301
150819	EVH.600-CLEAN	4	25	600	640	10.5	35	74	57.5	20	15	556	16.4	42.5	35	1300	1900	335
150821	EVH.700-CLEAN	4	25	700	740	10.5	35	74	57.5	20	15	656	16.4	42.5	35	1200	1600	368

* Maximum working load

Load at breakage