

## Tubular handles

### Oval cross section, technopolymer and aluminium

#### HANDLE SHANKS

Glass-fibre reinforced polyamide based (PA) technopolymer, grey-black colour, matte finish.

#### COVERS

- ECA.V: polyamide based (PA) technopolymer, in Elecolors colours, glossy finish, press-fit assembly. Supplied, removable by a screwdriver.

Available also as accessory sold separately (see table).

#### STANDARD EXECUTIONS

Pass-through holes for cylindrical-head screws with hexagon socket, hexagonal-head screws or standard lock nuts.

- **EVH-EP:** aluminium tube, epoxy resin coating, metalflake graphite colour, matte finish. Highly resistant to wear, scratches and chemical agents. Avoid continuous and prolonged contact with boiling water or steam.

- **EVH-AN:** anodised aluminium tube, natural colour.

Suggested tightening torque:

- back mounting with plain holes: 8 [Nm]

- front mounting with plain or tapped holes: 15 [Nm].

#### ERGONOMY AND DESIGN

The large diameter of the tube offers a good and comfortable grip.

#### TECHNICAL DATA

Tensile stress: F2 values reported in the table are the result of breaking tests carried out with the appropriate dynamometric equipment under the test conditions shown in the figure with ambient temperature.

#### SPECIAL EXECUTIONS ON REQUEST

Different lengths.

#### ACCESSORIES ON REQUEST

ECA.V: polyamide based (PA) technopolymer closing caps, in Elecolors colours, glossy finish, press-fit assembly.



ERGOSTYLE® ELESA Original design

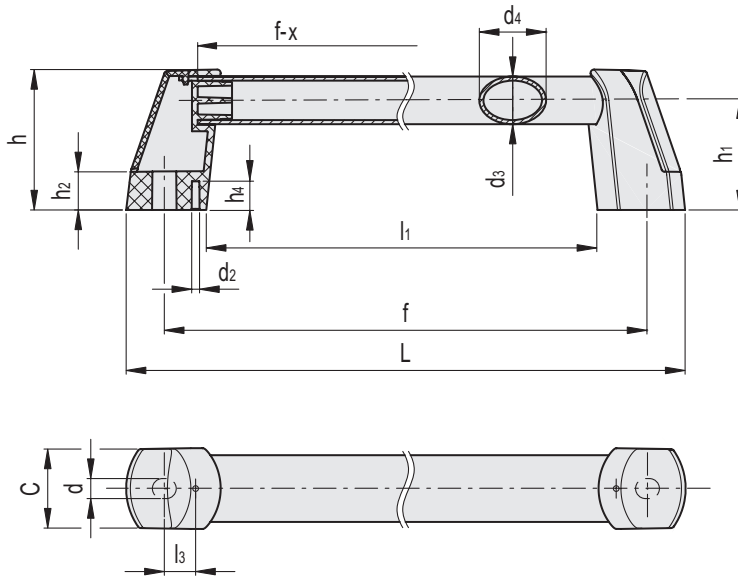


C1 RAL7021
  C2 RAL2004
  C3 RAL7035
  C4 RAL1021
  C5 RAL5024
  C6 RAL3000
  C17 RAL6017

#### ECA.V

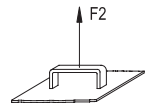
Code	Description	Cover for
29873-.*	ECA.V-.*	EVH.

\* Complete with colour index (C1, ..., C17).



\* Complete with colour index, example: 262301-C2 EVH.300-EP-C2

- C1**  
RAL7021
- C2**  
RAL2004
- C3**  
RAL7035
- C4**  
RAL1021
- C5**  
RAL5024
- C6**  
RAL3000
- C17**  
RAL6017



**EVH-EP**

Code	Description	d3	f±1	L	d	d4	h	h1	h2	h4	l1	l3	d2	C	x	F2 [N]*	F2 [N]#	⚖️
262301-*	EVH.300-EP-*	25	300	340	10.5	35	74	57.5	20	15	256	16.4	4	42.5	35	3200	4200	235
262311-*	EVH.350-EP-*	25	350	390	10.5	35	74	57.5	20	15	306	16.4	4	42.5	35	3000	3500	268
262321-*	EVH.400-EP-*	25	400	440	10.5	35	74	57.5	20	15	356	16.4	4	42.5	35	2700	3100	456
262331-*	EVH.500-EP-*	25	500	540	10.5	35	74	57.5	20	15	456	16.4	4	42.5	35	2100	2400	301
262341-*	EVH.600-EP-*	25	600	640	10.5	35	74	57.5	20	15	556	16.4	4	42.5	35	1300	1900	335
262351-*	EVH.700-EP-*	25	700	740	10.5	35	74	57.5	20	15	656	16.4	4	42.5	35	1200	1600	368

**EVH-AN**

Code	Description	d3	f±1	L	d	d4	h	h1	h2	h4	l1	l3	d2	C	x	F2 [N]*	F2 [N]#	⚖️
262303-*	EVH.300-AN-*	25	300	340	10.5	35	74	57.5	20	15	256	16.4	4	42.5	35	3200	4200	235
262313-*	EVH.350-AN-*	25	350	390	10.5	35	74	57.5	20	15	306	16.4	4	42.5	35	3000	3500	268
262323-*	EVH.400-AN-*	25	400	440	10.5	35	74	57.5	20	15	356	16.4	4	42.5	35	2700	3100	268
262333-*	EVH.500-AN-*	25	500	540	10.5	35	74	57.5	20	15	456	16.4	4	42.5	35	2100	2400	301
262343-*	EVH.600-AN-*	25	600	640	10.5	35	74	57.5	20	15	556	16.4	4	42.5	35	1300	1900	335
262353-*	EVH.700-AN-*	25	700	740	10.5	35	74	57.5	20	15	656	16.4	4	42.5	35	1200	1600	368

\* Maximum working load

# Load at breakage

