

## Wing knobs

Stainless steel

### MATERIAL

AISI 304 stainless steel, sandblasted matte finish.

### STANDARD EXECUTIONS

- **EWNM-SST:** threaded blind hole.
- **EWNM-SST-FP:** threaded pass-through hole.
- **EWNM-SST-p:** threaded pin.

### FEATURES AND APPLICATIONS

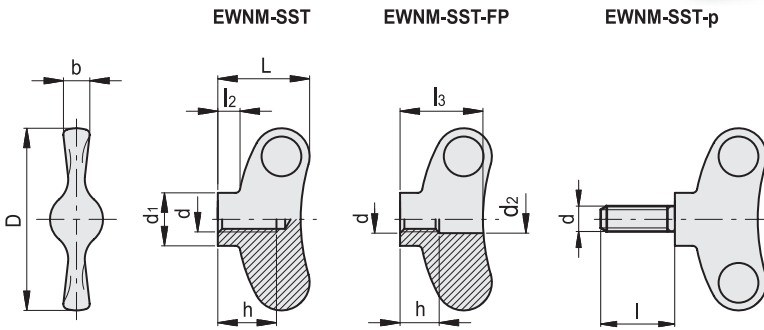
These wing nuts allow high tightening torque values.

### ERGONOMY AND DESIGN

The slightly concave marks on the wings help to position the fingers in order to apply the maximum force when tightening. Different threadings.



ERGOSTYLE®



### EWNM-SST

STAINLESS STEEL

Code	Description	D	d	L	d1	l2	b	h	Δ
222002	EWNM-SST-40-M5	40	M5	21	13.5	5.5	6.5	12	31
222004	EWNM-SST-40-M6	40	M6	21	13.5	5.5	6.5	12	31
222012	EWNM-SST-48-M6	48	M6	24	13.5	6	7	15	41
222014	EWNM-SST-48-M8	48	M8	24	13.5	6	7	15	40
222022	EWNM-SST-55-M8	55	M8	28	16	7	8	18	62
222024	EWNM-SST-55-M10	55	M10	28	16	7	8	18	61

### EWNM-SST-FP

STAINLESS STEEL

Code	Description	D	d	d2 H13	L	d1	l2	l3	b	h	Δ
222001	EWNM-SST-40-FP-M5	40	M5	5.3	21	13.5	5.5	19	6.5	8	30
222003	EWNM-SST-40-FP-M6	40	M6	6.4	21	13.5	5.5	19	6.5	10	29
222011	EWNM-SST-48-FP-M6	48	M6	6.4	24	13.5	6	22	7	10	40
222013	EWNM-SST-48-FP-M8	48	M8	8.4	24	13.5	6	22	7	13	39
222021	EWNM-SST-55-FP-M8	55	M8	8.4	28	16	7	25	8	13	59
222023	EWNM-SST-55-FP-M10	55	M10	10.5	28	16	7	25	8	16	57

### EWNM-SST-p

STAINLESS STEEL

Code	Description	D	d	L	d1	l	l2	b	Δ
222101	EWNM.40-SST-pM5x16	40	M5	21	13.5	16	5.5	6.5	32
222103	EWNM.40-SST-pM5x20	40	M5	21	13.5	20	5.5	6.5	36
222105	EWNM.40-SST-pM5x25	40	M5	21	13.5	25	5.5	6.5	40
222111	EWNM.40-SST-pM6x16	40	M6	21	13.5	16	5.5	6.5	35
222113	EWNM.40-SST-pM6x20	40	M6	21	13.5	20	5.5	6.5	42
222115	EWNM.40-SST-pM6x25	40	M6	21	13.5	25	5.5	6.5	46
222131	EWNM.48-SST-pM6x16	48	M6	24	13.5	16	6	7	44
222133	EWNM.48-SST-pM6x20	48	M6	24	13.5	20	6	7	50
222135	EWNM.48-SST-pM6x25	48	M6	24	13.5	25	6	7	54
222141	EWNM.48-SST-pM8x16	48	M8	24	13.5	16	6	7	46
222143	EWNM.48-SST-pM8x20	48	M8	24	13.5	20	6	7	50
222145	EWNM.48-SST-pM8x25	48	M8	24	13.5	25	6	7	52
222161	EWNM.55-SST-pM8x20	55	M8	28	16	20	7	8	55
222163	EWNM.55-SST-pM8x25	55	M8	28	16	25	7	8	58
222165	EWNM.55-SST-pM8x30	55	M8	28	16	30	7	8	61
222171	EWNM.55-SST-pM10x20	55	M10	28	16	20	7	8	53
222173	EWNM.55-SST-pM10x25	55	M10	28	16	25	7	8	56
222175	EWNM.55-SST-pM10x30	55	M10	28	16	30	7	8	60