

## Roller central guides

Technopolymer, aluminium, stainless steel

### PROFILE

Anodised aluminium, natural colour, matte finish.

### PINS SUPPORT

Acetal resin based (POM) technopolymer, white colour.

### PINS

AISI 304 stainless steel.

### ROLLERS

Polyethylene based (PE) technopolymer, grey colour.

### STANDARD EXECUTIONS

- **GCA-2-RS**: with shaped rollers, spherical contact.
- **GCA-2-RC**: with cylindrical rollers.
- **GCA-2-RT**: with shaped rollers, cylindrical contact.

### FEATURES AND APPLICATIONS

GCA-2 central guides are self-supporting structures for the side guide of products with limited vertical dimensions on conveyor belts (Fig.1).

Depending on the product to transport, it is recommended to use:

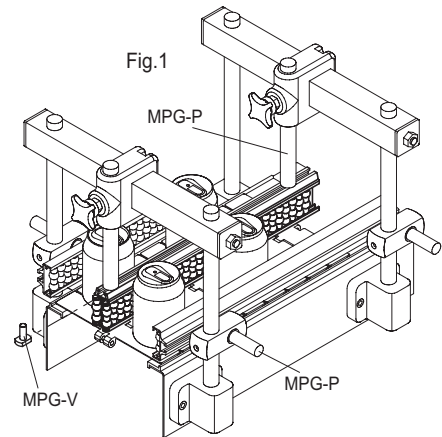
- GCA-2-RS: for the guide of products in cans or in plastic containers;
  - GCA-2-RC: for the guide of cardboard products, for a greater fluency;
  - GCA-2-RT: for the guide of glass products, in case of accidental breakage they facilitate the expulsion of debris.
- Supplied assembled in bars of 1440 or 3000 mm length.

### SPECIAL EXECUTIONS ON REQUEST

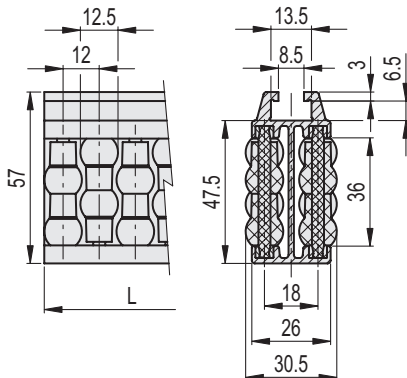
- Central guides with rollers in different colours.
- Central guides with pins in acetal resin based (POM) technopolymer.

### ACCESSORIES ON REQUEST

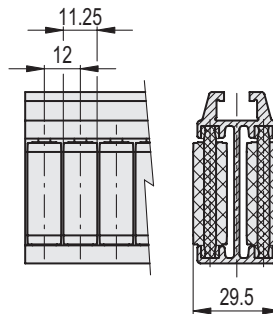
- BDG: zinc-plated steel connecting bar for guides.
- TGL: closing cap for guides.
- PGC-2: separation block for central guide.
- MPG-P: assembly pin.
- MPG-V: zinc-plated steel hammer head screw (see GLA-1).



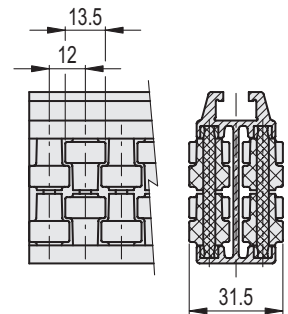
GCA-2-RS



GCA-2-RC



GCA-2-RT



GCA-2-RS

STAINLESS STEEL

Code	Description	L	⚖
419125	GCA-2-RS-57-1440	1440	3170
419121	GCA-2-RS-57-3000	3000	6600

GCA-2-RC

STAINLESS STEEL

Code	Description	L	⚖
419126	GCA-2-RC-57-1440	1440	3170
419122	GCA-2-RC-57-3000	3000	6600

GCA-2-RT

STAINLESS STEEL

Code	Description	L	⚖
419124	GCA-2-RT-57-1440	1440	3170
419123	GCA-2-RT-57-3000	3000	6600