

## Oil level indicators

with prismatic window, technopolymer

### MATERIAL

Polyamide based (PA) technopolymer, black colour, glossy finish.

### PRISMATIC WINDOW

Transparent polyamide based (PA-T/AR) technopolymer. The window consists of a continuous series of prisms which provide a clear and immediate reading of the level of the oil contained in the reservoir.

### PACKING RING

NBR synthetic rubber.

### MAXIMUM CONTINUOUS WORKING TEMPERATURE

100°C at 3 bar pressure.

### NOTE

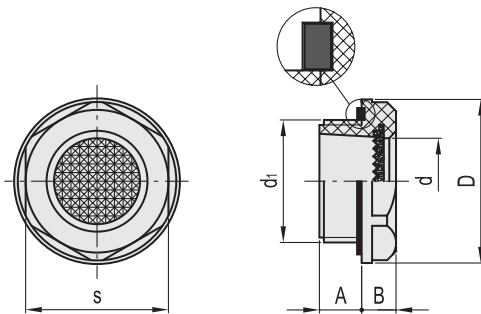
For use with other fluids with special additives, please contact ELESA Sales Department.

### ACCESSORIES ON REQUEST

Brass nut type GH. (see page 1743) for fitting to reservoirs with wall thickness smaller than 5 mm.



ELESA Original design



| Code  | Description       | d1     | A   | B   | D    | d    | s  | Tightening torque [Nm] | ⚖️ |
|-------|-------------------|--------|-----|-----|------|------|----|------------------------|----|
| 14462 | HGFT.13/PR-1/2-C9 | G 1/2  | 10  | 8.5 | 28   | 14.5 | 24 | 6+8                    | 5  |
| 14482 | HGFT.16/PR-3/4-C9 | G 3/4  | 9.5 | 8.5 | 35   | 18   | 32 | 8+10                   | 9  |
| 14522 | HGFT.21/PR-1-C9   | G 1    | 11  | 9.5 | 42.5 | 23   | 38 | 10+12                  | 14 |
| 14542 | HGFT.25/PR-1¼-C9  | G1 1/4 | 11  | 9   | 50   | 30   | 46 | 12+15                  | 30 |

