

Oil level sight glasses

Technopolymer up to 100°C

MATERIAL

Polyamide based (PA) technopolymer, black or red colour, glossy finish (HGFT-SL only black colour).

WINDOW

Transparent polyamide based (PA-T/AR) technopolymer.

PACKING RING

NBR synthetic rubber.

STANDARD EXECUTIONS

- **HGFT.**: with matte anodised aluminium star-shaped contrast screen with red central level point.
- **HGFT-SL**: without contrast screen.

MAXIMUM CONTINUOUS WORKING TEMPERATURE

100°C at 3 bar pressure.

NOTE

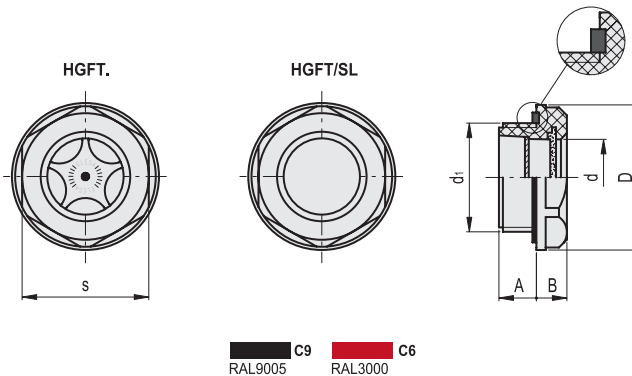
For use with other fluids with special additives, please contact ELESA Sales Department.

ACCESSORIES ON REQUEST

Brass nut type GH. for fitting to reservoirs with wall thickness smaller than 5 mm.



ELESA Original design



HGFT.

| Code | Description | Code | Description | d ₁ | A | B | D | d | s | Tightening torque [Nm] | ⚖️ |
|-------|----------------|-------|----------------|----------------|-----|-----|------|------|----|------------------------|----|
| 14441 | HGFT.10-3/8 C9 | 14444 | HGFT.10-3/8 C6 | G 3/8 | 8 | 7 | 24 | 11 | 22 | 4÷8 | 4 |
| 14461 | HGFT.13-1/2 C9 | 14464 | HGFT.13-1/2 C6 | G 1/2 | 10 | 8.5 | 28 | 14.5 | 24 | 6÷8 | 6 |
| 14481 | HGFT.16-3/4 C9 | 14484 | HGFT.16-3/4 C6 | G 3/4 | 9.5 | 8.5 | 35 | 18 | 32 | 8÷10 | 10 |
| 14521 | HGFT.21-1 C9 | 14524 | HGFT.21-1 C6 | G 1 | 11 | 9.5 | 42.5 | 23 | 38 | 10÷12 | 15 |
| 14541 | HGFT.25-1¼ C9 | 14544 | HGFT.25-1¼ C6 | G 1 1/4 | 11 | 9 | 50 | 30 | 46 | 12÷15 | 30 |
| 14561 | HGFT.40-2 C9 | 14564 | HGFT.40-2 C6 | G 2 | 12 | 11 | 66 | 40 | 60 | 12÷15 | 60 |

HGFT-SL

| Code | Description | d ₁ | A | B | D | d | s | Tightening torque [Nm] | ⚖️ |
|-------|----------------|----------------|-----|-----|------|------|----|------------------------|----|
| 14446 | HGFT.10/SL-3/8 | G 3/8 | 8 | 7 | 24 | 11 | 22 | 4÷8 | 3 |
| 14466 | HGFT.13/SL-1/2 | G 1/2 | 10 | 8.5 | 28 | 14.5 | 24 | 6÷8 | 5 |
| 14486 | HGFT.16/SL-3/4 | G 3/4 | 9.5 | 8.5 | 35 | 18 | 32 | 8÷10 | 9 |
| 14526 | HGFT.21/SL-1 | G 1 | 11 | 9.5 | 42.5 | 23 | 38 | 10÷12 | 14 |
| 14546 | HGFT.25/SL-1¼ | G 1 1/4 | 11 | 9 | 50 | 30 | 46 | 12÷15 | 29 |
| 14566 | HGFT.40/SL-2 | G 2 | 12 | 11 | 66 | 40 | 60 | 12÷15 | 59 |

