

I.137



I.218



Tapered handles

Duroplast

MATERIAL

Phenolic based (PF) Duroplast, black colour, glossy finish.

STANDARD EXECUTION

Threaded blind hole.

Shaped handle

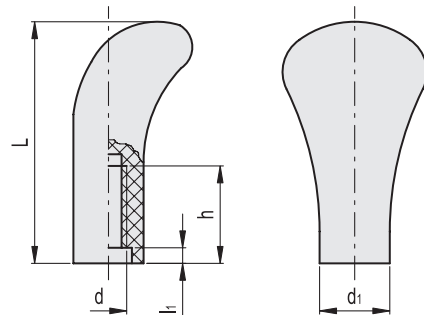
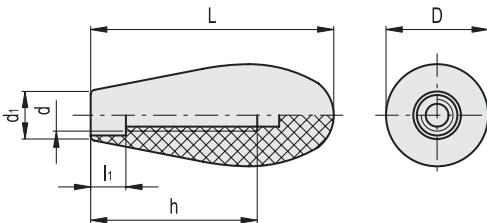
Duroplast

MATERIAL

Phenolic based (PF) Duroplast, black colour, glossy finish.

STANDARD EXECUTION

Threaded blind hole.



Code	Description	D	L	d	d1	h	li	△
19301	I.137/70-M8	29	69	M8	14	45	10	37
19302	I.137/70-M10	29	69	M10	14	45	15	35
19401	I.137/80-M12	35	79	M12	17	55	12	60

Code	Description	L	d	d1	h	li	△
20801	I.218/60-M10	62	M10	18	25	4	32