

## Fold-away handles

### Technopolymer

#### MATERIAL

Polyamide based (PA) technopolymer handle, black colour, matte finish.

#### STANDARD EXECUTIONS

- **IR.620**: black-oxide steel stud, sintered and oxidised steel flat base for embedded mounting, black-oxide steel screw.
- **IR.620-SST**: AISI 303 stainless steel stud, sintered AISI 303 stainless steel flat base for embedded mounting, AISI 303 stainless steel screw.

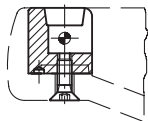
#### FEATURES AND APPLICATIONS

Handle pivots freely during operation: a system of coaxial bushings compensates return spring load.

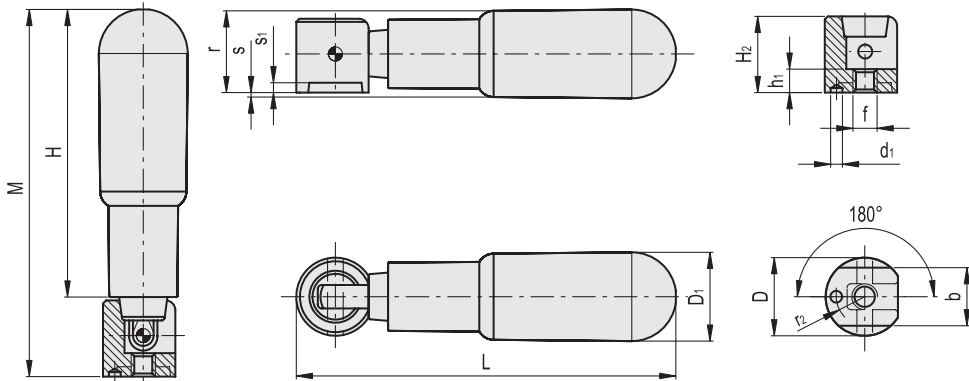
This series of fold-away handles has been designed for all those applications for which, owing to lack of space or for safety reasons, the handle must be folded-away once the operation has been completed.



Normal assembly example with embedded base



ELESA Original design



#### IR.620

Code	Description	H	D	L	M	D1	H2	r	s	s1	b	f	h1	d1	r2	△
128442	IR.620/45 S.D.16	45	16	63	60	15.5	14	15	0.5	1.7	10	M4	4	3	5.5	36
128444	IR.620/60 S.D.16	60	16	78	74	18	14	16.5	1.5	1.7	10	M4	4	3	5.5	38
128445	IR.620/65 S.D.16	65	16	89.5	80.5	22	14	20.5	1.5	1.7	10	M4	4	3	5.5	74
128446	IR.620/65 S.D.20	65	20	91.5	85	22	18.5	20.5	1.5	2.3	14	M6	5	3	7	78
128447	IR.620/73 S.D.20	73	20	99	93	23	18.5	21	2	2.3	14	M6	5	3	7	86
128448	IR.620/80 S.D.20	80	20	106	100	24	18.5	21.5	2.5	2.3	14	M6	5	3	7	90
128449	IR.620/90 S.D.20	90	20	115.5	110	25	18.5	24.5	0.5	2.3	14	M6	5	3	7	118
128450	IR.620/90 S.D.26	90	26	119	114	25	23	24.5	0.5	2.3	18	M6	7	3	9	145

#### IR.620-SST

STAINLESS STEEL

Code	Description	H	D	L	M	D1	H2	r	s	s1	b	f	h1	d1	r2	△
128462	IR.620/45-SST-S.D.16	45	16	63	60	15.5	14	15	0.5	1.7	10	M5	4	3	5.5	36
128464	IR.620/60-SST-S.D.16	60	16	78	74	18	14	16.5	1.5	1.7	10	M4	4	3	5.5	38
128465	IR.620/65-SST-S.D.16	65	16	89.5	80.5	22	14	20.5	1.5	1.7	10	M4	4	3	5.5	74
128466	IR.620/65-SST-S.D.20	65	20	91.5	85	22	18.5	20.5	1.5	2.3	14	M6	5	3	7	78
128467	IR.620/73-SST-S.D.20	73	20	99	93	23	18.5	21	2	2.3	14	M6	5	3	7	86
128468	IR.620/80-SST-S.D.20	80	20	106	100	24	18.5	21.5	2.5	2.3	14	M6	5	3	7	90
128469	IR.620/90-SST-S.D.20	90	20	115.5	110	25	18.5	24.5	0.5	2.3	14	M6	5	3	7	118
128470	IR.620/90-SST-S.D.26	90	26	119	114	25	23	24.5	0.5	2.3	18	M6	7	3	9	145