

Adjustable feet

Visually Detectable technopolymer base, stainless steel stem

BASE

Glass-fibre reinforced polyamide based (PA) technopolymer, RAL 5005 blue colour, matte finish.

Produced from FDA compliant raw material (FDA CFR.21 and EU 10/2011).

ARTICULATED STEM

Threaded AISI 304 stainless steel with adjusting square.

STANDARD EXECUTIONS

- **LSQ.A-SST-VD**: without no-slip disk.
- **LSQ.A-AS-SST-VD**: with NBR rubber no-slip disk, hardness 70 Shore A, supplied assembled to the base.

FEATURES AND APPLICATIONS

The RAL 5005 blue colour is easily visible in case of accidental food contamination.

The particular assembling system of the no-slip disk to the base assures a perfect anchoring, preventing separation even in case of impact during transport or of adhesion (sticking) to the floor (see No-slip disk).

ORDER INFORMATION

The levelling feet are supplied unassembled to make carriage and storage easier. The components (base and stem) are supplied in separate packing: less volume taken and better protection from scratches and dirt.

To order bases and stems separately, see:

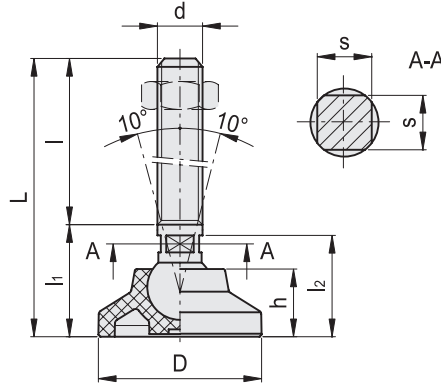
- table of possible combinations Bases/Stems
- the codes of the Bases
- the codes of the Stems

ACCESSORIES ON REQUEST

AISI 304 stainless steel nut (see Nuts NT.).



ELESA Original design



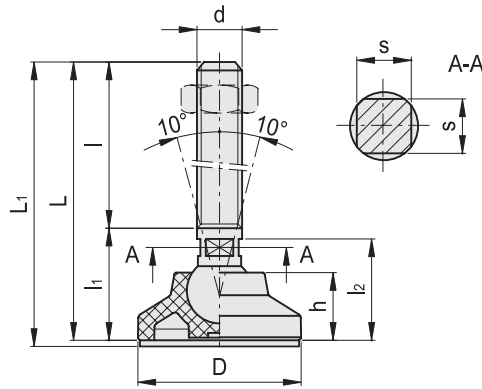
LSQ.A-SST-VD

STAINLESS STEEL

| Code | Description | D | d | L | l | l1 | l2 | h | s | Articulation Ø | Max. limit static load* [N] | ⚖️ |
|--------|-----------------------------|----|-----|-----|-----|----|------|----|----|-------------------|-----------------------------------|-----|
| 187061 | LSQ.A-25-8.5-SST-M8x48-VD | 25 | M8 | 68 | 48 | 20 | 18.5 | 12 | 7 | 8.5 | 5000 | 24 |
| 187063 | LSQ.A-25-8.5-SST-M8x73-VD | 25 | M8 | 93 | 73 | 20 | 18.5 | 12 | 7 | 8.5 | 5000 | 34 |
| 187071 | LSQ.A-25-8.5-SST-M10x48-VD | 25 | M10 | 68 | 48 | 20 | 18.5 | 12 | 7 | 8.5 | 5000 | 31 |
| 187073 | LSQ.A-25-8.5-SST-M10x73-VD | 25 | M10 | 93 | 73 | 20 | 18.5 | 12 | 7 | 8.5 | 5000 | 47 |
| 187075 | LSQ.A-25-8.5-SST-M10x103-VD | 25 | M10 | 123 | 103 | 20 | 18.5 | 12 | 7 | 8.5 | 5000 | 65 |
| 187081 | LSQ.A-25-8.5-SST-M12x48-VD | 25 | M12 | 68 | 48 | 20 | 18.5 | 12 | 9 | 8.5 | 5000 | 42 |
| 187083 | LSQ.A-25-8.5-SST-M12x73-VD | 25 | M12 | 93 | 73 | 20 | 18.5 | 12 | 9 | 8.5 | 5000 | 64 |
| 187085 | LSQ.A-25-8.5-SST-M12x103-VD | 25 | M12 | 123 | 103 | 20 | 18.5 | 12 | 9 | 8.5 | 5000 | 95 |
| 187151 | LSQ.A-25-14-SST-M16x68-VD | 25 | M16 | 92 | 68 | 24 | 22.5 | 12 | 12 | 14 | 5000 | 100 |
| 187153 | LSQ.A-25-14-SST-M16x108-VD | 25 | M16 | 132 | 108 | 24 | 22.5 | 12 | 12 | 14 | 5000 | 164 |
| 187155 | LSQ.A-25-14-SST-M16x148-VD | 25 | M16 | 172 | 148 | 24 | 22.5 | 12 | 12 | 14 | 5000 | 228 |
| 187157 | LSQ.A-25-14-SST-M16x168-VD | 25 | M16 | 192 | 168 | 24 | 22.5 | 12 | 12 | 14 | 5000 | 260 |
| 187161 | LSQ.A-32-8.5-SST-M8x48-VD | 32 | M8 | 71 | 48 | 23 | 21.5 | 15 | 7 | 8.5 | 6000 | 28 |
| 187163 | LSQ.A-32-8.5-SST-M8x73-VD | 32 | M8 | 96 | 73 | 23 | 21.5 | 15 | 7 | 8.5 | 6000 | 38 |
| 187171 | LSQ.A-32-8.5-SST-M10x48-VD | 32 | M10 | 71 | 48 | 23 | 21.5 | 15 | 7 | 8.5 | 6000 | 35 |
| 187173 | LSQ.A-32-8.5-SST-M10x73-VD | 32 | M10 | 96 | 73 | 23 | 21.5 | 15 | 7 | 8.5 | 6000 | 51 |
| 187175 | LSQ.A-32-8.5-SST-M10x103-VD | 32 | M10 | 126 | 103 | 23 | 21.5 | 15 | 7 | 8.5 | 6000 | 69 |
| 187181 | LSQ.A-32-8.5-SST-M12x48-VD | 32 | M12 | 71 | 48 | 23 | 21.5 | 15 | 9 | 8.5 | 6000 | 46 |
| 187183 | LSQ.A-32-8.5-SST-M12x73-VD | 32 | M12 | 96 | 73 | 23 | 21.5 | 15 | 9 | 8.5 | 6000 | 68 |
| 187185 | LSQ.A-32-8.5-SST-M12x103-VD | 32 | M12 | 126 | 103 | 23 | 21.5 | 15 | 9 | 8.5 | 6000 | 99 |
| 187251 | LSQ.A-32-14-SST-M16x68-VD | 32 | M16 | 92 | 68 | 24 | 22.5 | 15 | 12 | 14 | 7000 | 104 |
| 187253 | LSQ.A-32-14-SST-M16x108-VD | 32 | M16 | 132 | 108 | 24 | 22.5 | 15 | 12 | 14 | 7000 | 168 |
| 187255 | LSQ.A-32-14-SST-M16x148-VD | 32 | M16 | 172 | 148 | 24 | 22.5 | 15 | 12 | 14 | 7000 | 232 |
| 187257 | LSQ.A-32-14-SST-M16x168-VD | 32 | M16 | 192 | 168 | 24 | 22.5 | 15 | 12 | 14 | 7000 | 264 |
| 187261 | LSQ.A-40-8.5-SST-M8x48-VD | 40 | M8 | 73 | 48 | 25 | 23.5 | 17 | 7 | 8.5 | 7000 | 33 |
| 187263 | LSQ.A-40-8.5-SST-M8x73-VD | 40 | M8 | 98 | 73 | 25 | 23.5 | 17 | 7 | 8.5 | 7000 | 43 |
| 187271 | LSQ.A-40-8.5-SST-M10x48-VD | 40 | M10 | 73 | 48 | 25 | 23.5 | 17 | 7 | 8.5 | 7000 | 40 |
| 187273 | LSQ.A-40-8.5-SST-M10x73-VD | 40 | M10 | 98 | 73 | 25 | 23.5 | 17 | 7 | 8.5 | 7000 | 56 |
| 187275 | LSQ.A-40-8.5-SST-M10x103-VD | 40 | M10 | 128 | 103 | 25 | 23.5 | 17 | 7 | 8.5 | 7000 | 74 |
| 187281 | LSQ.A-40-8.5-SST-M12x48-VD | 40 | M12 | 73 | 48 | 25 | 23.5 | 17 | 9 | 8.5 | 7000 | 51 |
| 187283 | LSQ.A-40-8.5-SST-M12x73-VD | 40 | M12 | 98 | 73 | 25 | 23.5 | 17 | 9 | 8.5 | 7000 | 73 |
| 187285 | LSQ.A-40-8.5-SST-M12x103-VD | 40 | M12 | 128 | 103 | 25 | 23.5 | 17 | 9 | 8.5 | 7000 | 104 |
| 187351 | LSQ.A-40-14-SST-M16x68-VD | 40 | M16 | 93 | 68 | 25 | 23.5 | 17 | 12 | 14 | 10000 | 109 |
| 187353 | LSQ.A-40-14-SST-M16x108-VD | 40 | M16 | 133 | 108 | 25 | 23.5 | 17 | 12 | 14 | 10000 | 173 |
| 187355 | LSQ.A-40-14-SST-M16x148-VD | 40 | M16 | 173 | 148 | 25 | 23.5 | 17 | 12 | 14 | 10000 | 237 |
| 187357 | LSQ.A-40-14-SST-M16x168-VD | 40 | M16 | 193 | 168 | 25 | 23.5 | 17 | 12 | 14 | 10000 | 269 |
| 187361 | LSQ.A-50-8.5-SST-M8x48-VD | 50 | M8 | 75 | 48 | 27 | 25.5 | 19 | 7 | 8.5 | 7000 | 39 |
| 187363 | LSQ.A-50-8.5-SST-M8x73-VD | 50 | M8 | 100 | 73 | 27 | 25.5 | 19 | 7 | 8.5 | 7000 | 49 |
| 187371 | LSQ.A-50-8.5-SST-M10x48-VD | 50 | M10 | 75 | 48 | 27 | 25.5 | 19 | 7 | 8.5 | 7000 | 46 |
| 187373 | LSQ.A-50-8.5-SST-M10x73-VD | 50 | M10 | 100 | 73 | 27 | 25.5 | 19 | 7 | 8.5 | 7000 | 62 |
| 187375 | LSQ.A-50-8.5-SST-M10x103-VD | 50 | M10 | 130 | 103 | 27 | 25.5 | 19 | 7 | 8.5 | 7000 | 80 |
| 187381 | LSQ.A-50-8.5-SST-M12x48-VD | 50 | M12 | 75 | 48 | 27 | 25.5 | 19 | 9 | 8.5 | 7000 | 57 |
| 187383 | LSQ.A-50-8.5-SST-M12x73-VD | 50 | M12 | 100 | 73 | 27 | 25.5 | 19 | 9 | 8.5 | 7000 | 79 |
| 187385 | LSQ.A-50-8.5-SST-M12x103-VD | 50 | M12 | 130 | 103 | 27 | 25.5 | 19 | 9 | 8.5 | 7000 | 110 |
| 187451 | LSQ.A-50-14-SST-M16x68-VD | 50 | M16 | 95 | 68 | 27 | 25.5 | 19 | 12 | 14 | 10000 | 115 |
| 187453 | LSQ.A-50-14-SST-M16x108-VD | 50 | M16 | 135 | 108 | 27 | 25.5 | 19 | 12 | 14 | 10000 | 179 |
| 187455 | LSQ.A-50-14-SST-M16x148-VD | 50 | M16 | 175 | 148 | 27 | 25.5 | 19 | 12 | 14 | 10000 | 243 |
| 187457 | LSQ.A-50-14-SST-M16x168-VD | 50 | M16 | 195 | 168 | 27 | 25.5 | 19 | 12 | 14 | 10000 | 275 |
| 187581 | LSQ.A-60-14-SST-M16x68-VD | 60 | M16 | 104 | 68 | 36 | 34.5 | 24 | 12 | 14 | 14000 | 130 |
| 187583 | LSQ.A-60-14-SST-M16x108-VD | 60 | M16 | 144 | 108 | 36 | 34.5 | 24 | 12 | 14 | 14000 | 182 |
| 187585 | LSQ.A-60-14-SST-M16x148-VD | 60 | M16 | 184 | 148 | 36 | 34.5 | 24 | 12 | 14 | 14000 | 235 |
| 187587 | LSQ.A-60-14-SST-M16x168-VD | 60 | M16 | 204 | 168 | 36 | 34.5 | 24 | 12 | 14 | 14000 | 261 |
| 187591 | LSQ.A-60-14-SST-M20x110-VD | 60 | M20 | 151 | 110 | 41 | 38.5 | 24 | 15 | 14 | 14000 | 282 |
| 187593 | LSQ.A-60-14-SST-M20x150-VD | 60 | M20 | 191 | 150 | 41 | 38.5 | 24 | 15 | 14 | 14000 | 362 |
| 187595 | LSQ.A-60-14-SST-M20x170-VD | 60 | M20 | 211 | 170 | 41 | 38.5 | 24 | 15 | 14 | 14000 | 405 |
| 187597 | LSQ.A-60-14-SST-M20x210-VD | 60 | M20 | 251 | 210 | 41 | 38.5 | 24 | 15 | 14 | 14000 | 486 |

* The max static load is the value above which the load applied to the element may cause some plastic material breakage, in particular conditions of use. Obviously, a factor that takes into consideration the importance and the safety level of the specific application must be applied to this value.





LSQ.A-AS-SST-VD

STAINLESS STEEL

| Code | Description | D | d | L | Li | l | li | l2 | h | s | Articulation Ø | Max. limit static load* [N] | ⚖ |
|--------|--------------------------------|----|-----|-----|-----|-----|----|------|----|----|-------------------|-----------------------------------|-----|
| 188061 | LSQ.A-25-8.5-AS-SST-M8x48-VD | 25 | M8 | 68 | 71 | 48 | 20 | 18.5 | 12 | 7 | 8.5 | 5000 | 26 |
| 188063 | LSQ.A-25-8.5-AS-SST-M8x73-VD | 25 | M8 | 93 | 96 | 73 | 20 | 18.5 | 12 | 7 | 8.5 | 5000 | 36 |
| 188071 | LSQ.A-25-8.5-AS-SST-M10x48-VD | 25 | M10 | 68 | 71 | 48 | 20 | 18.5 | 12 | 7 | 8.5 | 5000 | 33 |
| 188073 | LSQ.A-25-8.5-AS-SST-M10x73-VD | 25 | M10 | 93 | 96 | 73 | 20 | 18.5 | 12 | 7 | 8.5 | 5000 | 49 |
| 188075 | LSQ.A-25-8.5-AS-SST-M10x103-VD | 25 | M10 | 123 | 126 | 103 | 20 | 18.5 | 12 | 7 | 8.5 | 5000 | 67 |
| 188081 | LSQ.A-25-8.5-AS-SST-M12x48-VD | 25 | M12 | 68 | 71 | 48 | 20 | 18.5 | 12 | 9 | 8.5 | 5000 | 44 |
| 188083 | LSQ.A-25-8.5-AS-SST-M12x73-VD | 25 | M12 | 93 | 96 | 73 | 20 | 18.5 | 12 | 9 | 8.5 | 5000 | 66 |
| 188085 | LSQ.A-25-8.5-AS-SST-M12x103-VD | 25 | M12 | 123 | 126 | 103 | 20 | 18.5 | 12 | 9 | 8.5 | 5000 | 97 |
| 188151 | LSQ.A-25-14-AS-SST-M16x68-VD | 25 | M16 | 92 | 95 | 68 | 24 | 22.5 | 12 | 12 | 14 | 5000 | 102 |
| 188153 | LSQ.A-25-14-AS-SST-M16x108-VD | 25 | M16 | 132 | 135 | 108 | 24 | 22.5 | 12 | 12 | 14 | 5000 | 166 |
| 188155 | LSQ.A-25-14-AS-SST-M16x148-VD | 25 | M16 | 172 | 175 | 148 | 24 | 22.5 | 12 | 12 | 14 | 5000 | 230 |
| 188157 | LSQ.A-25-14-AS-SST-M16x168-VD | 25 | M16 | 192 | 195 | 168 | 24 | 22.5 | 12 | 12 | 14 | 5000 | 262 |
| 188161 | LSQ.A-32-8.5-AS-SST-M8x48-VD | 32 | M8 | 71 | 74 | 48 | 23 | 21.5 | 15 | 7 | 8.5 | 6000 | 32 |
| 188163 | LSQ.A-32-8.5-AS-SST-M8x73-VD | 32 | M8 | 96 | 99 | 73 | 23 | 21.5 | 15 | 7 | 8.5 | 6000 | 42 |
| 188171 | LSQ.A-32-8.5-AS-SST-M10x48-VD | 32 | M10 | 71 | 74 | 48 | 23 | 21.5 | 15 | 7 | 8.5 | 6000 | 39 |
| 188173 | LSQ.A-32-8.5-AS-SST-M10x73-VD | 32 | M10 | 96 | 99 | 73 | 23 | 21.5 | 15 | 7 | 8.5 | 6000 | 55 |
| 188175 | LSQ.A-32-8.5-AS-SST-M10x103-VD | 32 | M10 | 126 | 129 | 103 | 23 | 21.5 | 15 | 7 | 8.5 | 6000 | 73 |
| 188181 | LSQ.A-32-8.5-AS-SST-M12x48-VD | 32 | M12 | 71 | 74 | 48 | 23 | 21.5 | 15 | 9 | 8.5 | 6000 | 50 |
| 188183 | LSQ.A-32-8.5-AS-SST-M12x73-VD | 32 | M12 | 96 | 99 | 73 | 23 | 21.5 | 15 | 9 | 8.5 | 6000 | 72 |
| 188185 | LSQ.A-32-8.5-AS-SST-M12x103-VD | 32 | M12 | 126 | 129 | 103 | 23 | 21.5 | 15 | 9 | 8.5 | 6000 | 103 |
| 188251 | LSQ.A-32-14-AS-SST-M16x68-VD | 32 | M16 | 92 | 95 | 68 | 24 | 22.5 | 15 | 12 | 14 | 7000 | 108 |
| 188253 | LSQ.A-32-14-AS-SST-M16x108-VD | 32 | M16 | 132 | 135 | 108 | 24 | 22.5 | 15 | 12 | 14 | 7000 | 172 |
| 188255 | LSQ.A-32-14-AS-SST-M16x148-VD | 32 | M16 | 172 | 175 | 148 | 24 | 22.5 | 15 | 12 | 14 | 7000 | 236 |
| 188257 | LSQ.A-32-14-AS-SST-M16x168-VD | 32 | M16 | 192 | 195 | 168 | 24 | 22.5 | 15 | 12 | 14 | 7000 | 268 |
| 188261 | LSQ.A-40-8.5-AS-SST-M8x48-VD | 40 | M8 | 73 | 76 | 48 | 25 | 23.5 | 17 | 7 | 8.5 | 7000 | 40 |
| 188263 | LSQ.A-40-8.5-AS-SST-M8x73-VD | 40 | M8 | 98 | 101 | 73 | 25 | 23.5 | 17 | 7 | 8.5 | 7000 | 50 |
| 188271 | LSQ.A-40-8.5-AS-SST-M10x48-VD | 40 | M10 | 73 | 76 | 48 | 25 | 23.5 | 17 | 7 | 8.5 | 7000 | 47 |
| 188273 | LSQ.A-40-8.5-AS-SST-M10x73-VD | 40 | M10 | 98 | 101 | 73 | 25 | 23.5 | 17 | 7 | 8.5 | 7000 | 63 |
| 188275 | LSQ.A-40-8.5-AS-SST-M10x103-VD | 40 | M10 | 128 | 131 | 103 | 25 | 23.5 | 17 | 7 | 8.5 | 7000 | 81 |
| 188281 | LSQ.A-40-8.5-AS-SST-M12x48-VD | 40 | M12 | 73 | 76 | 48 | 25 | 23.5 | 17 | 9 | 8.5 | 7000 | 58 |
| 188283 | LSQ.A-40-8.5-AS-SST-M12x73-VD | 40 | M12 | 98 | 101 | 73 | 25 | 23.5 | 17 | 9 | 8.5 | 7000 | 80 |
| 188285 | LSQ.A-40-8.5-AS-SST-M12x103-VD | 40 | M12 | 128 | 131 | 103 | 25 | 23.5 | 17 | 9 | 8.5 | 7000 | 111 |
| 188351 | LSQ.A-40-14-AS-SST-M16x68-VD | 40 | M16 | 93 | 96 | 68 | 25 | 23.5 | 17 | 12 | 14 | 10000 | 116 |
| 188353 | LSQ.A-40-14-AS-SST-M16x108-VD | 40 | M16 | 133 | 136 | 108 | 25 | 23.5 | 17 | 12 | 14 | 10000 | 180 |
| 188355 | LSQ.A-40-14-AS-SST-M16x148-VD | 40 | M16 | 173 | 176 | 148 | 25 | 23.5 | 17 | 12 | 14 | 10000 | 244 |
| 188357 | LSQ.A-40-14-AS-SST-M16x168-VD | 40 | M16 | 193 | 196 | 168 | 25 | 23.5 | 17 | 12 | 14 | 10000 | 276 |
| 188361 | LSQ.A-50-8.5-AS-SST-M8x48-VD | 50 | M8 | 75 | 78 | 48 | 27 | 25.5 | 19 | 7 | 8.5 | 7000 | 51 |
| 188363 | LSQ.A-50-8.5-AS-SST-M8x73-VD | 50 | M8 | 100 | 103 | 73 | 27 | 25.5 | 19 | 7 | 8.5 | 7000 | 61 |
| 188371 | LSQ.A-50-8.5-AS-SST-M10x48-VD | 50 | M10 | 75 | 78 | 48 | 27 | 25.5 | 19 | 7 | 8.5 | 7000 | 58 |
| 188373 | LSQ.A-50-8.5-AS-SST-M10x73-VD | 50 | M10 | 100 | 103 | 73 | 27 | 25.5 | 19 | 7 | 8.5 | 7000 | 74 |
| 188375 | LSQ.A-50-8.5-AS-SST-M10x103-VD | 50 | M10 | 130 | 133 | 103 | 27 | 25.5 | 19 | 7 | 8.5 | 7000 | 92 |
| 188381 | LSQ.A-50-8.5-AS-SST-M12x48-VD | 50 | M12 | 75 | 78 | 48 | 27 | 25.5 | 19 | 9 | 8.5 | 7000 | 69 |
| 188383 | LSQ.A-50-8.5-AS-SST-M12x73-VD | 50 | M12 | 100 | 103 | 73 | 27 | 25.5 | 19 | 9 | 8.5 | 7000 | 91 |
| 188385 | LSQ.A-50-8.5-AS-SST-M12x103-VD | 50 | M12 | 130 | 133 | 103 | 27 | 25.5 | 19 | 9 | 8.5 | 7000 | 122 |
| 188451 | LSQ.A-50-14-AS-SST-M16x68-VD | 50 | M16 | 95 | 98 | 68 | 27 | 25.5 | 19 | 12 | 14 | 10000 | 127 |
| 188453 | LSQ.A-50-14-AS-SST-M16x108-VD | 50 | M16 | 135 | 138 | 108 | 27 | 25.5 | 19 | 12 | 14 | 10000 | 191 |
| 188455 | LSQ.A-50-14-AS-SST-M16x148-VD | 50 | M16 | 175 | 178 | 148 | 27 | 25.5 | 19 | 12 | 14 | 10000 | 255 |
| 188457 | LSQ.A-50-14-AS-SST-M16x168-VD | 50 | M16 | 195 | 198 | 168 | 27 | 25.5 | 19 | 12 | 14 | 10000 | 287 |
| 188581 | LSQ.A-60-14-AS-SST-M16x68-VD | 60 | M16 | 104 | 107 | 68 | 36 | 34.5 | 24 | 12 | 14 | 14000 | 130 |
| 188583 | LSQ.A-60-14-AS-SST-M16x108-VD | 60 | M16 | 144 | 147 | 108 | 36 | 34.5 | 24 | 12 | 14 | 14000 | 182 |
| 188585 | LSQ.A-60-14-AS-SST-M16x148-VD | 60 | M16 | 184 | 187 | 148 | 36 | 34.5 | 24 | 12 | 14 | 14000 | 235 |
| 188587 | LSQ.A-60-14-AS-SST-M16x168-VD | 60 | M16 | 204 | 207 | 168 | 36 | 34.5 | 24 | 12 | 14 | 14000 | 261 |
| 188591 | LSQ.A-60-14-AS-SST-M20x110-VD | 60 | M20 | 151 | 154 | 110 | 41 | 38.5 | 24 | 15 | 14 | 14000 | 282 |
| 188593 | LSQ.A-60-14-AS-SST-M20x150-VD | 60 | M20 | 191 | 194 | 150 | 41 | 38.5 | 24 | 15 | 14 | 14000 | 362 |
| 188595 | LSQ.A-60-14-AS-SST-M20x170-VD | 60 | M20 | 211 | 214 | 170 | 41 | 38.5 | 24 | 15 | 14 | 14000 | 405 |
| 188597 | LSQ.A-60-14-AS-SST-M20x210-VD | 60 | M20 | 251 | 254 | 210 | 41 | 38.5 | 24 | 15 | 14 | 14000 | 486 |

* The max static load is the value above which the load applied to the element may cause some plastic material breakage, in particular conditions of use. Obviously, a factor that takes into consideration the importance and the safety level of the specific application must be applied to this value.