

Levelling elements

Technopolymer base, steel stem

BASE

Glass-fibre reinforced polyamide based (PA) technopolymer, black colour, matte finish.

THROUGH STEM

Threaded zinc-plated steel with regulation hexagon, black-oxide steel retaining ring and zinc-plated steel plain washer.

STANDARD EXECUTIONS

- **LV.A-APS**: without no-slip disk.
- **LV.A-APS-AS**: with NBR rubber no-slip disk, hardness 90 Shore A, supplied assembled, reinforced with zinc-plated steel plate, fixed by means of two screws.

FEATURES

The special knurling under the lower lip of the base provides excellent stability and grip when using the levelling element without no-slip disk even on surfaces that are not perfectly flat. The components of the levelling elements (base and stem) are supplied already assembled.

ACCESSORIES ON REQUEST

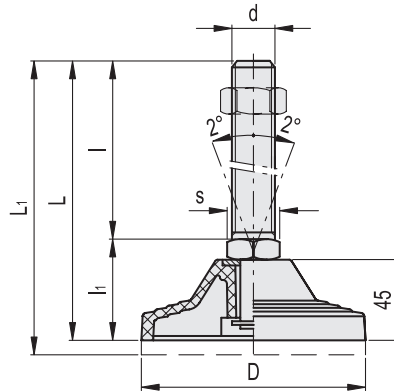
Zinc-plated steel nut (see Nuts NT, on page 1223).

SPECIAL EXECUTIONS ON REQUEST

AISI 304 stainless steel stems.



ELESA Original design



LV.A-APS

LV.A-APS-AS

Code	Description	Code	Description	D	d	L	L1#	I	li	s	Max. limit static load* [N]	⚖️	⚖️ #
306961	LV.A-125-APS-M20x95	310961	LV.A-125-APS-AS-M20x95	125	M20	150	160	95	55	24	40000	465	715
306965	LV.A-125-APS-M20x155	310965	LV.A-125-APS-AS-M20x155	125	M20	210	220	155	55	24	40000	585	835
306971	LV.A-125-APS-M24x95	310971	LV.A-125-APS-AS-M24x95	125	M24	150	160	95	55	24	40000	620	870
306975	LV.A-125-APS-M24x155	310975	LV.A-125-APS-AS-M24x155	125	M24	210	220	155	55	24	40000	735	985
306985	LV.A-125-APS-M30x155	310985	LV.A-125-APS-AS-M30x155	125	M30	210	220	155	55	30	40000	925	1175

* The max static load is the value above which the load applied to the element may cause some plastic material breakage, in particular conditions of use. Obviously, a factor that takes into consideration the importance and the safety level of the specific application must be applied to this value.

Data with no-slip disk mounted.