

## Levelling elements

### Technopolymer base, stainless steel stem

#### BASE

Glass-fibre reinforced polyamide based (PA) technopolymer, black colour, matte finish.

#### ARTICULATED STEM

Threaded AISI 304 stainless steel with adjusting square.

#### STANDARD EXECUTIONS

- **LVQ.A-SST**: without no-slip disk.
- **LVQ.A-AS-SST**: with NBR rubber no-slip disk, hardness 70 Shore A, supplied assembled to the base.

#### FEATURES

The special knurling under the lower lip of the base provides excellent stability and grip when using the levelling element without no-slip disk even on surfaces that are not perfectly flat.

The particular assembling system of the no-slip disk to the base assures a perfect anchoring, preventing separation even in case of impact during transport or of adhesion (sticking) to the floor (see No-slip disks on page 1223).

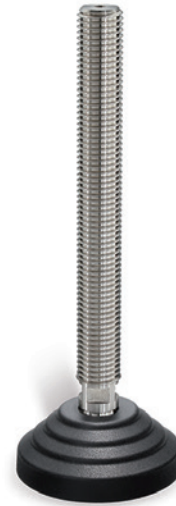
#### ORDER INFORMATION

The levelling elements are supplied unassembled to make carriage and storage easier. The components (base and stem) are supplied in separate packing: less volume taken and better protection from scratches and dirt.

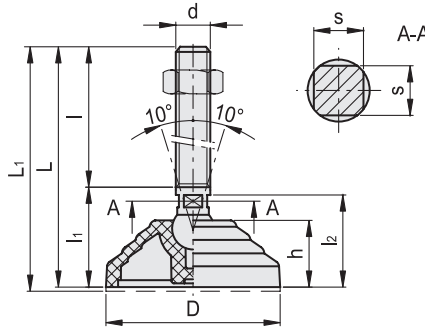
To order bases and stems separately, see: table of the possible combinations Bases/Stems on page 1229.

#### ACCESSORIES ON REQUEST

AISI 304 stainless steel nut (see Nuts NT. on page 1223).



ELESA Original design



#### LVQ.A-SST

#### LVQ.A-AS-SST

#### STAINLESS STEEL

Code	Description	Code	Description	D	d	L	L1	I	I1	I2	h	s	Articulation Ø	Max. limit static load* [N]	#	
323901	LVQ.A-60-14-SST-M16x68	327901	LVQ.A-60-14-AS-SST-M16x68	60	M16	102	105	68	34	32.5	24	12	14	14000	128	147
323903	LVQ.A-60-14-SST-M16x108	327903	LVQ.A-60-14-AS-SST-M16x108	60	M16	142	145	108	34	32.5	24	12	14	14000	192	211
323905	LVQ.A-60-14-SST-M16x148	327905	LVQ.A-60-14-AS-SST-M16x148	60	M16	182	185	148	34	32.5	24	12	14	14000	256	275
323907	LVQ.A-60-14-SST-M16x168	327907	LVQ.A-60-14-AS-SST-M16x168	60	M16	202	205	168	34	32.5	24	12	14	14000	288	307
323911	LVQ.A-60-14-SST-M20x110	327911	LVQ.A-60-14-AS-SST-M20x110	60	M20	149	152	110	39	36.5	24	15	14	14000	292	311
323913	LVQ.A-60-14-SST-M20x150	327913	LVQ.A-60-14-AS-SST-M20x150	60	M20	189	192	150	39	36.5	24	15	14	14000	392	411
323915	LVQ.A-60-14-SST-M20x170	327915	LVQ.A-60-14-AS-SST-M20x170	60	M20	209	212	170	39	36.5	24	15	14	14000	442	461
323917	LVQ.A-60-14-SST-M20x210	327917	LVQ.A-60-14-AS-SST-M20x210	60	M20	249	252	210	39	36.5	24	15	14	14000	541	560

\* The max static load is the value above which the load applied to the element may cause some plastic material breakage, in particular conditions of use. Obviously, a factor that takes into consideration the importance and the safety level of the specific application must be applied to this value.

# Data with no-slip disk mounted.



Levelling elements 11

LVQ.A-SST		LVQ.A-AS-SST		STAINLESS STEEL													
Code	Description	Code	Description	D	d	L	Li#	I	li	lz	h	s	Articulation ∅	Max. limit static load* [N]	⚖️	⚖️	#
324951	LVQ.A-70-14-SST-M16x68	328951	LVQ.A-70-14-AS-SST-M16x68	70	M16	97	100	68	29	27.5	19	12	14	14000	126	146	
324953	LVQ.A-70-14-SST-M16x108	328953	LVQ.A-70-14-AS-SST-M16x108	70	M16	137	140	108	29	27.5	19	12	14	14000	190	210	
324955	LVQ.A-70-14-SST-M16x148	328955	LVQ.A-70-14-AS-SST-M16x148	70	M16	177	180	148	29	27.5	19	12	14	14000	254	274	
324957	LVQ.A-70-14-SST-M16x168	328957	LVQ.A-70-14-AS-SST-M16x168	70	M16	197	200	168	29	27.5	19	12	14	14000	286	306	
324961	LVQ.A-70-14-SST-M20x110	328961	LVQ.A-70-14-AS-SST-M20x110	70	M20	144	147	110	34	31.5	19	15	14	14000	290	310	
324963	LVQ.A-70-14-SST-M20x150	328963	LVQ.A-70-14-AS-SST-M20x150	70	M20	184	187	150	34	31.5	19	15	14	14000	390	410	
324965	LVQ.A-70-14-SST-M20x170	328965	LVQ.A-70-14-AS-SST-M20x170	70	M20	204	207	170	34	31.5	19	15	14	14000	440	460	
324967	LVQ.A-70-14-SST-M20x210	328967	LVQ.A-70-14-AS-SST-M20x210	70	M20	244	247	210	34	31.5	19	15	14	14000	539	559	
324971	LVQ.A-70-14-SST-M24x110	328971	LVQ.A-70-14-AS-SST-M24x110	70	M24	144	147	110	34	31.5	19	18	14	14000	397	417	
324973	LVQ.A-70-14-SST-M24x170	328973	LVQ.A-70-14-AS-SST-M24x170	70	M24	204	207	170	34	31.5	19	18	14	14000	612	632	
324975	LVQ.A-70-14-SST-M24x210	328975	LVQ.A-70-14-AS-SST-M24x210	70	M24	244	247	210	34	31.5	19	18	14	14000	756	776	
325001	LVQ.A-80-14-SST-M16x68	329001	LVQ.A-80-14-AS-SST-M16x68	80	M16	102	105	68	34	32.5	24	12	14	16000	149	175	
325003	LVQ.A-80-14-SST-M16x108	329003	LVQ.A-80-14-AS-SST-M16x108	80	M16	142	145	108	34	32.5	24	12	14	16000	213	239	
325005	LVQ.A-80-14-SST-M16x148	329005	LVQ.A-80-14-AS-SST-M16x148	80	M16	182	185	148	34	32.5	24	12	14	16000	277	303	
325007	LVQ.A-80-14-SST-M16x168	329007	LVQ.A-80-14-AS-SST-M16x168	80	M16	202	205	168	34	32.5	24	12	14	16000	309	335	
325011	LVQ.A-80-14-SST-M20x110	329011	LVQ.A-80-14-AS-SST-M20x110	80	M20	149	152	110	39	36.5	24	15	14	16000	313	339	
325013	LVQ.A-80-14-SST-M20x150	329013	LVQ.A-80-14-AS-SST-M20x150	80	M20	189	192	150	39	36.5	24	15	14	16000	413	439	
325015	LVQ.A-80-14-SST-M20x170	329015	LVQ.A-80-14-AS-SST-M20x170	80	M20	209	212	170	39	36.5	24	15	14	16000	463	489	
325017	LVQ.A-80-14-SST-M20x210	329017	LVQ.A-80-14-AS-SST-M20x210	80	M20	249	252	210	39	36.5	24	15	14	16000	562	588	
325021	LVQ.A-80-14-SST-M24x110	329021	LVQ.A-80-14-AS-SST-M24x110	80	M24	149	152	110	39	36.5	24	18	14	16000	420	446	
325023	LVQ.A-80-14-SST-M24x170	329023	LVQ.A-80-14-AS-SST-M24x170	80	M24	209	212	170	39	36.5	24	18	14	16000	635	661	
325025	LVQ.A-80-14-SST-M24x210	329025	LVQ.A-80-14-AS-SST-M24x210	80	M24	249	252	210	39	36.5	24	18	14	16000	779	805	
325851	LVQ.A-100-14-SST-M16x68	329851	LVQ.A-100-14-AS-SST-M16x68	100	M16	102	105	68	34	32.5	24	12	14	16000	179	233	
325853	LVQ.A-100-14-SST-M16x108	329853	LVQ.A-100-14-AS-SST-M16x108	100	M16	142	145	108	34	32.5	24	12	14	16000	243	297	
325855	LVQ.A-100-14-SST-M16x148	329855	LVQ.A-100-14-AS-SST-M16x148	100	M16	182	185	148	34	32.5	24	12	14	16000	307	361	
325857	LVQ.A-100-14-SST-M16x168	329857	LVQ.A-100-14-AS-SST-M16x168	100	M16	202	205	168	34	32.5	24	12	14	16000	339	393	
325861	LVQ.A-100-14-SST-M20x110	329861	LVQ.A-100-14-AS-SST-M20x110	100	M20	149	152	110	39	36.5	24	15	14	16000	343	397	
325863	LVQ.A-100-14-SST-M20x150	329863	LVQ.A-100-14-AS-SST-M20x150	100	M20	189	192	150	39	36.5	24	15	14	16000	443	497	
325865	LVQ.A-100-14-SST-M20x170	329865	LVQ.A-100-14-AS-SST-M20x170	100	M20	209	212	170	39	36.5	24	15	14	16000	493	547	
325867	LVQ.A-100-14-SST-M20x210	329867	LVQ.A-100-14-AS-SST-M20x210	100	M20	249	252	210	39	36.5	24	15	14	16000	592	646	
325871	LVQ.A-100-14-SST-M24x110	329871	LVQ.A-100-14-AS-SST-M24x110	100	M24	149	152	110	39	36.5	24	18	14	16000	450	504	
325873	LVQ.A-100-14-SST-M24x170	329873	LVQ.A-100-14-AS-SST-M24x170	100	M24	209	212	170	39	36.5	24	18	14	16000	665	719	
325875	LVQ.A-100-14-SST-M24x210	329875	LVQ.A-100-14-AS-SST-M24x210	100	M24	249	252	210	39	36.5	24	18	14	16000	809	863	

\* The max static load is the value above which the load applied to the element may cause some plastic material breakage, in particular conditions of use. Obviously, a factor that takes into consideration the importance and the safety level of the specific application must be applied to this value.

# Data with no-slip disk mounted.