

Tubular handles for electrical insulation

Technopolymer and polyester

HANDLE SHANKS

Glass-fibre reinforced polyamide based (PA) technopolymer, black colour, matte finish.

Supplied assembled. The seat for housing the tube in the shank is shaped so as to prevent its rotation.

TUBE

Glass-fibre reinforced polyester, black colour with high resistivity. High resistance to wear, scratches and agents.

MOUNTING

Rear fastening with screws M10.

Two reference pins (to be fitted during assembly) guarantee a precise positioning.

MECHANICAL AND DIELECTRIC FEATURES

Tensile stress: F2 values reported in the table are the result of breaking tests carried out with the appropriate dynamometric equipment under the test conditions shown in the figure with ambient temperature.

The following table lists the main dielectric features of the tube.

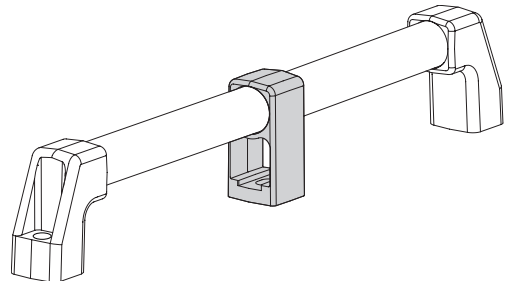
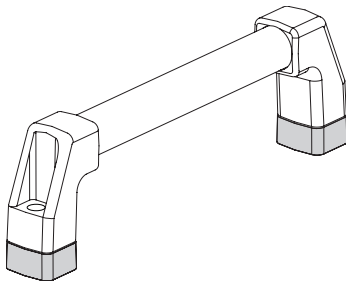
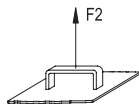
ACCESSORIES ON REQUEST

- DS-M.1043: spacer sleeves for side shank with connection for tube Ø30 in polyamide based (PA) technopolymer to increase the distance between the handle and the fitting surface (see table).
- SCM.: intermediate shank for tube Ø20 and for tube Ø30 in polyester based (PBT) technopolymer, black colour, matte finish. Suggested for tube longer than 700 mm (see table).



ELESA Original design

Dielectric features of the tube	
Volume Resistivity	$10^{10} \div 10^{15} [\Omega \cdot \text{cm}]$
Surface resistivity	$10^{10} \div 10^{13} [\Omega^*]$ (according to IEC93 standard)
Dielectric resistivity	8 [KV/mm]
Comparative tracking index (CTI)	> 600 (V)
Dielectric constant	5

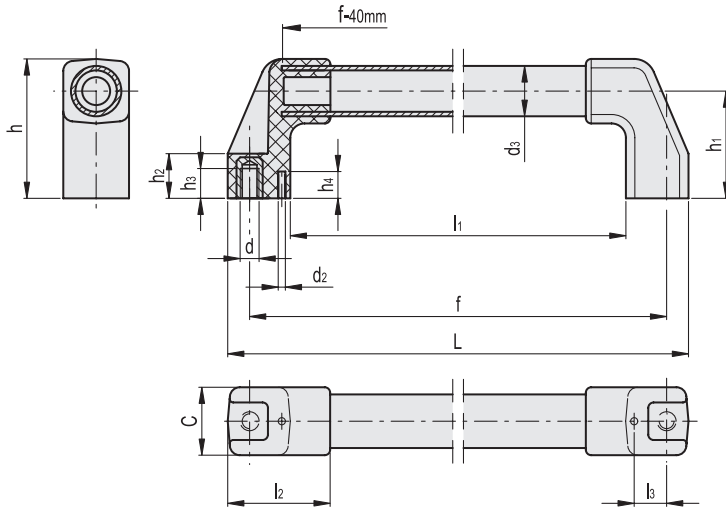


DS-M.1043

Code	Description	For handle		⚖️
15291	DS-M.1043/30-10	M.1043/20	M.1043 BM/20	18
15293	DS-M.1043/30-20	M.1043/30	M.1043 BM/30	28

SCM.

Code	Description	For handle		⚖️
15306	SCM.1043-20	M.1043/20	M.1043 BM/20	48
15305	SCM.1043-30	M.1043/30	M.1043 BM/30	51



Code	Description	d3	f41	L	d	h	h1	h2	h3	h4	l1	l2	l3	d2	C	F2 [N]*	F2 [N]#	⚖️
37776	M.1043/30-500-HEI	30	500	524	M10	78	60	25	17	15	454	57	18	4	38	3000	4500	495
37786	M.1043/30-700-HEI	30	700	724	M10	78	60	25	17	15	654	57	18	4	38	2000	3500	630

* Maximum working load # Load at breakage



U-Handles 4