

Inclined handles

Technopolymer

MATERIAL

High-resilience polypropylene based (PP) technopolymer handle, black colour, matte finish.

STANDARD EXECUTION

Brass bosses, threaded blind holes.

FEATURES AND APPLICATIONS

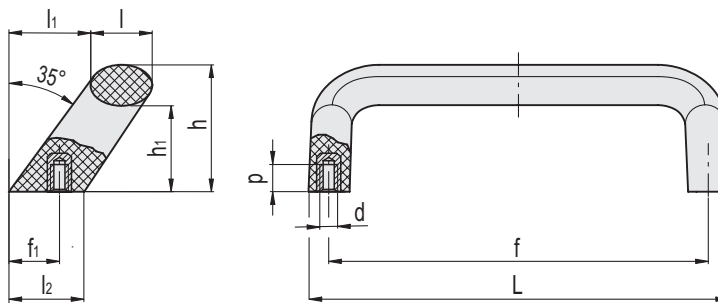
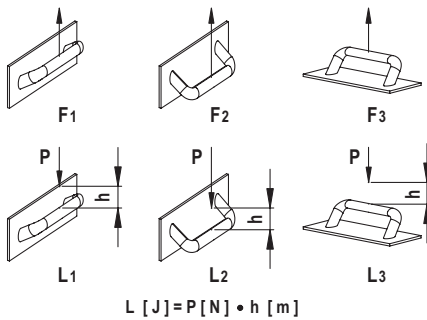
The inclined shape of the handle guarantees an ergonomic grip. Suitable for sliding door applications.

TECHNICAL DATA

Tensile stress and impact strength: the values F1, F2, F3, L1, L2 and L3 indicated in the table were obtained during breaking tests carried out with the appropriate dynamometric equipment under the test conditions shown in the figure with ambient temperature.



ELESA Original design



Code	Description	L	f	d6H	f1	h	h1	l	l1	l2	p	F1 [N]	F2 [N]	F3 [N]	L1 [J]	L2 [J]	L3 [J]	⚖️
37431	M.743/190 B-M6	176	160±1	M6	21.5	53.5	36.5	26	34	31.5	10	2300	2100	1500	19	16	13	94
37432	M.743/190 B-M8	176	160±1	M8	21.5	53.5	36.5	26	34	31.5	13	2300	2100	1500	19	16	13	94

