

## Balanced crank handle

### Technopolymer

#### MATERIAL

Glass-fibre reinforced polyamide based (PA) technopolymer, black colour matte finish. Balancing by means of an incorporated counterweight.

#### CENTRE CLOSING CAP

Technopolymer, black colour. On request and for sufficient quantities it can be supplied in other colours and customised with marks or words.

#### STANDARD EXECUTION

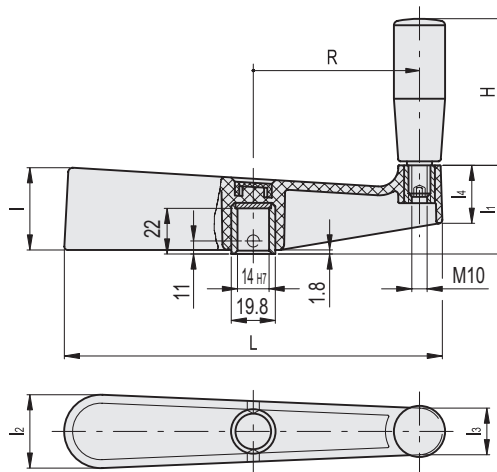
Black-oxide steel boss, H7 reamed hole.  
Reamed hole provided with centres already drilled for pinning to shaft.  
Revolving handle l.780+x (see page -) in technopolymer.

#### FEATURES

Its surface with matte finish allows a sensible grip during operation, even in case of short approach controls. The revolving handle makes high-speed rotation easier.



ELESA Original design



Code	Description	dH7	L	I	I1	I2	I3	I4	H	R	⚖️
38901	METP.170	14	170	37	39	33	21	25	65	74	275

