

## Guide rail clamps

### Technopolymer and stainless steel

#### MATERIAL

Glass-fibre reinforced polyamide based (PA) technopolymer, black colour, matte finish.

#### STANDARD EXECUTIONS

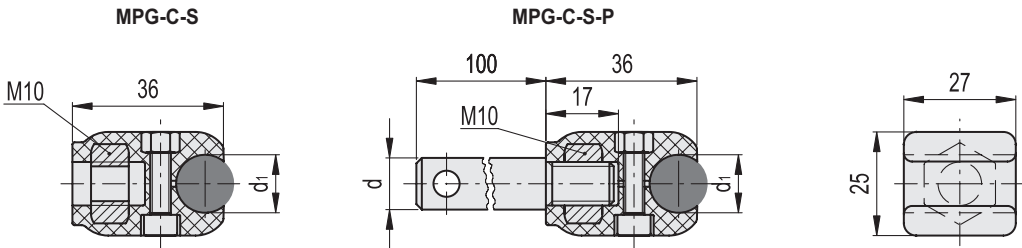
AISI 304 stainless steel screws and nuts.

- **MPG-C-S**: housings for round guides, without pin.
- **MPG-C-S-P**: housings for round guides with AISI 304 stainless steel pin.
- **MPG-T-S**: housings for standard trapezoidal guides, without pin.
- **MPG-T-S-P**: housings for standard trapezoidal guides with AISI 304 stainless steel pin.
- **MPG-R-S**: housings for rectangular guides, without pin.
- **MPG-R-S-P**: housings for rectangular guides with AISI 304 stainless steel pin.



#### FEATURES AND APPLICATIONS

MPG-T-S and MPG-T-S-P executions can be used with the side guides having an AISI 304 stainless steel bracket of thickness 1.5 or 2 mm.



#### MPG-C-S

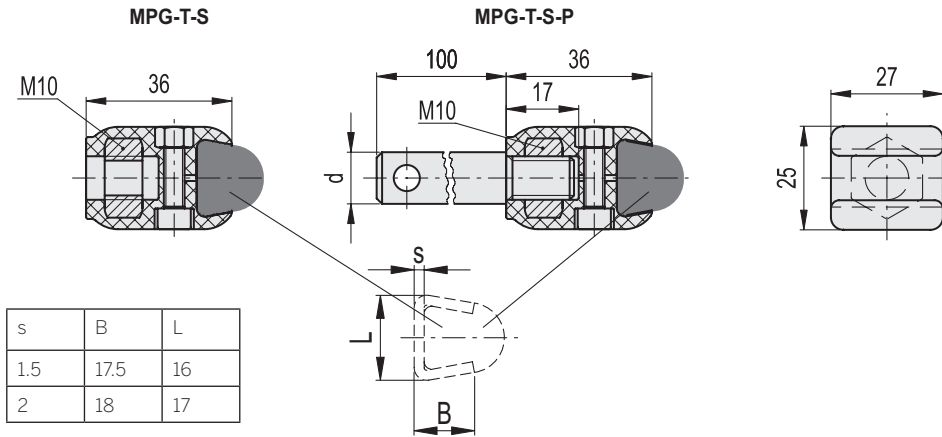
#### STAINLESS STEEL

Code	Description	d <sub>i</sub>	⚖️
419810	MPG-C-S-8	8	38
419811	MPG-C-S-10	10	37
419812	MPG-C-S-12	12	35
419813	MPG-C-S-14	14	35

#### MPG-C-S-P

#### STAINLESS STEEL

Code	Description	d	d <sub>i</sub>	⚖️
419798	MPG-C-S-P12-8	12	8	128
419799	MPG-C-S-P12-10	12	10	127
419800	MPG-C-S-P12-12	12	12	126
419801	MPG-C-S-P12-14	12	14	125
419802	MPG-C-S-P14-8	14	8	162
419803	MPG-C-S-P14-10	14	10	161
419804	MPG-C-S-P14-12	14	12	160
419805	MPG-C-S-P14-14	14	14	159
419806	MPG-C-S-P16-8	16	8	198
419807	MPG-C-S-P16-10	16	10	197
419808	MPG-C-S-P16-12	16	12	196
419809	MPG-C-S-P16-14	16	14	195

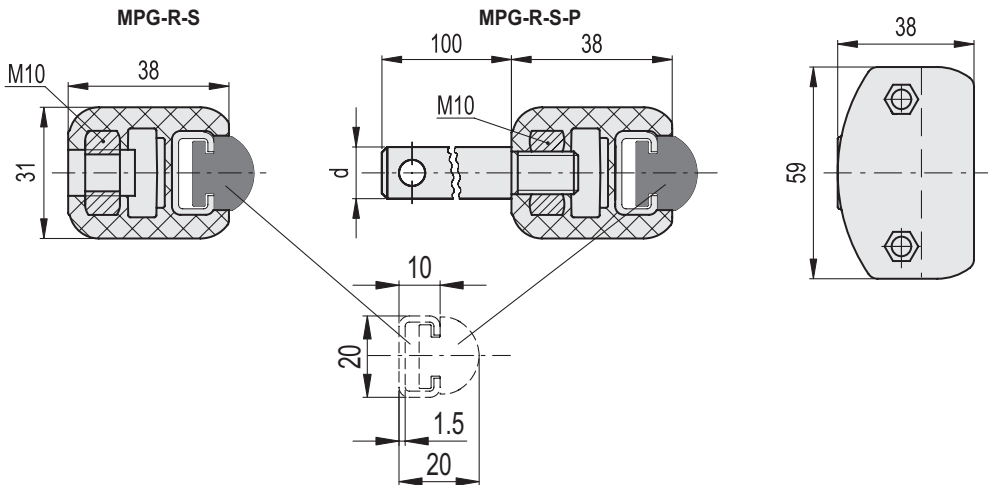


**MPG-T-S** STAINLESS STEEL

Code	Description	$\Delta$
419817	MPG-T-S	34

**MPG-T-S-P** STAINLESS STEEL

Code	Description	d	$\Delta$
419814	MPG-T-S-P12	12	125
419815	MPG-T-S-P14	14	158
419816	MPG-T-S-P16	16	195



**MPG-R-S** STAINLESS STEEL

Code	Description	$\Delta$
419827	MPG-R-S	69

**MPG-R-S-P** STAINLESS STEEL

Code	Description	d	$\Delta$
419824	MPG-R-S-P12	12	125
419825	MPG-R-S-P14	14	158
419826	MPG-R-S-P16	16	195



Conveyor components 19