

Tool for mounting ERX adjustable handles

for an electric or pneumatic screwdriver, aluminium

MATERIAL

Anodised aluminium, natural colour.

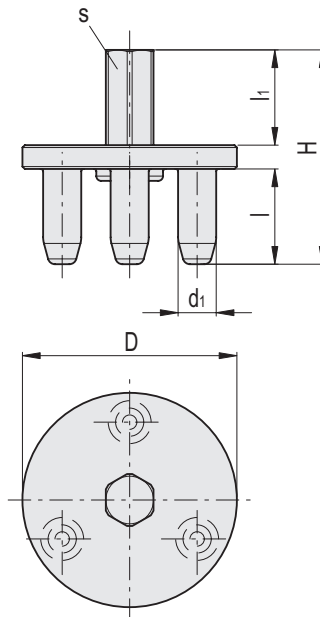
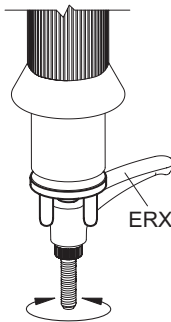
FEATURES AND APPLICATIONS

MT-ERX is suitable for quickly mounting the ERX.63 and ERX.78 adjustable handles using an electric or pneumatic screwdriver to be fitted onto the hexagon.

The gripping shape allows a quick and safe engagement of the lever without leaving signs of wear.

INSTRUCTIONS OF USE

It is advisable to set a controlled torque limit switch on the screwdriver.



Code	Description	D	H	d ₁	l	l ₁	s	Δ
233093	MT-ERX.63	40	45	7	20	20	10	30
233094	MT-ERX.78	45	45	8	20	20	10	37