

Flush pull handles

for snap-in assembly, technopolymer

MATERIAL

glass-fibre reinforced polyamide based (PA) technopolymer, grey-black, orange and light grey colours, matte finish.

STANDARD EXECUTION

Snap-in assembly (see Assembly Instructions).

ERGONOMY AND DESIGN

A modern design thanks to the compact shape. The internal profile of the cavity offers a safe, comfortable and ergonomic grip.

TECHNICAL DATA

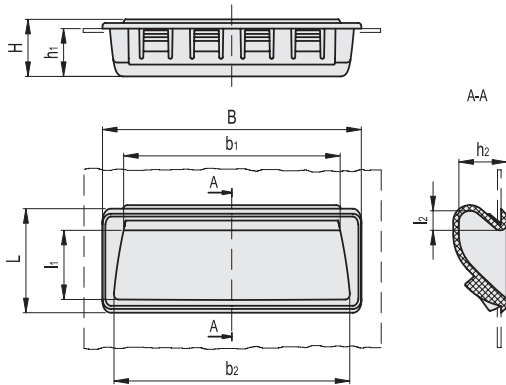
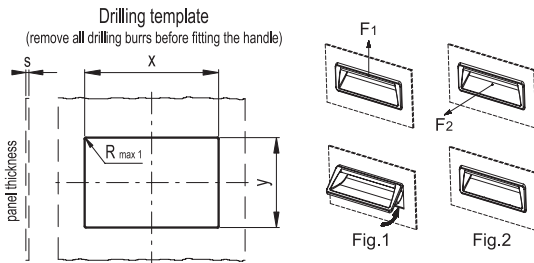
The lifting (F1) and pull out (F2) resistance values reported in the table are the result of laboratory tests carried out with handles assembled on strengthened metal sheet panels with thickness = 1.5 mm (strengthened for test purposes).

ASSEMBLY INSTRUCTIONS

1. Drill the handle housing according to the template dimensions.
2. Remove all drilling burrs before fitting the handle.
3. Fit the upper part of the handle into the housing (Fig.1).
4. Press onto the lower part until the handle is completely snapped in (Fig. 2).



ELESA Original design



	PR.92-PF		PR.137-PF		PR.189-PF		
	s	x	y	x	y	x	y
0.7+1	87.5 ^{+0.2}	30.5 ^{±0.1}	132 ^{+0.2}	30.5 ^{±0.1}	183 ^{+0.2}	39.2 ^{±0.1}	
>1+1.5	87.5 ^{+0.2}	30.7 ^{±0.1}	132 ^{+0.2}	30.7 ^{±0.1}	183 ^{+0.2}	39.6 ^{±0.1}	
>1.5+2	87.5 ^{+0.2}	31.7 ^{±0.1}	132 ^{+0.2}	31.7 ^{±0.1}	183 ^{+0.2}	40.1 ^{±0.1}	
>2+2.2	87.5 ^{+0.2}	31.7 ^{±0.1}	132 ^{+0.2}	31.7 ^{±0.1}	183 ^{+0.2}	40.1 ^{±0.1}	

■ C1
RAL7021

■ C2
RAL2004

■ C3
RAL7035

Code	Description	B	L	H	h1	h2	b1	b2	l1	l2	F1 [N]	F2 [N]	⚖️
51955-C1	PR.92-PF-C1	92	37	19	17	17	76	83	25	7	1800	500	19
51955-C2	PR.92-PF-C2	92	37	19	17	17	76	83	25	7	1800	500	19
51955-C3	PR.92-PF-C3	92	37	19	17	17	76	83	25	7	1800	500	19
51958-C1	PR.137-PF-C1	137	37	19	17	17	122	128	25	7	1800	500	28
51958-C2	PR.137-PF-C2	137	37	19	17	17	122	128	25	7	1800	500	28
51958-C3	PR.137-PF-C3	137	37	19	17	17	122	128	25	7	1800	500	28
51961-C1	PR.189-PF-C1	189	44	23	21	21	172	177	28	11	1800	500	52
51961-C2	PR.189-PF-C2	189	44	23	21	21	172	177	28	11	1800	500	52
51961-C3	PR.189-PF-C3	189	44	23	21	21	172	177	28	11	1800	500	52