

Castors with steel bracket

Vulcanised rubber coating

COVERING WITH TREAD

Vulcanised rubber; hardness 80 Shore A.

WHEEL CENTRE BODY

Polypropylene-based (PP) technopolymer.

ROLLING ACTION

Hub with pass-through hole.

FIXED PLATE BRACKET

Zinc-plated steel sheet, the bracket is designed to withstand loads up to 2250N.

TURNING PLATE BRACKET

Zinc-plated steel sheet, the bracket is designed to withstand loads up to 2250N. The presence of a double ball race turns and the direct contact between the plate and the ball race ring with built-in pin ensure excellent manoeuvrability. Does not require maintenance. It consists of (see Fig.1):

1. fitting plate: electrolytically zinc-plated steel sheet;
2. fork: electrolytically zinc-plated steel sheet;
3. ball race ring: electrolytically zinc-plated steel sheet;
4. central pin: incorporated in the plate, cold reflanged;
5. rotation system: dual grease-lubricated ball race;
6. dust seal: RAL 7015 dark grey technopolymer.

BRAKE

Total brake that locks the wheel and bracket rotation.

The optimised dimensions and the retractable pedal ensure minimal space occupied and maximum actuation ease.

Hardened carbon steel spring.

STANDARD EXECUTIONS

- **PBL-N**: fixed plate bracket, without brake.
- **SBL-N**: turning plate bracket, without brake.
- **SBF-N**: turning plate bracket, with brake.
- **FBL-N**: turning plate bracket and centre pass-through hole, without brake.
- **FBF-N**: turning plate bracket and centre pass-through hole, with brake.

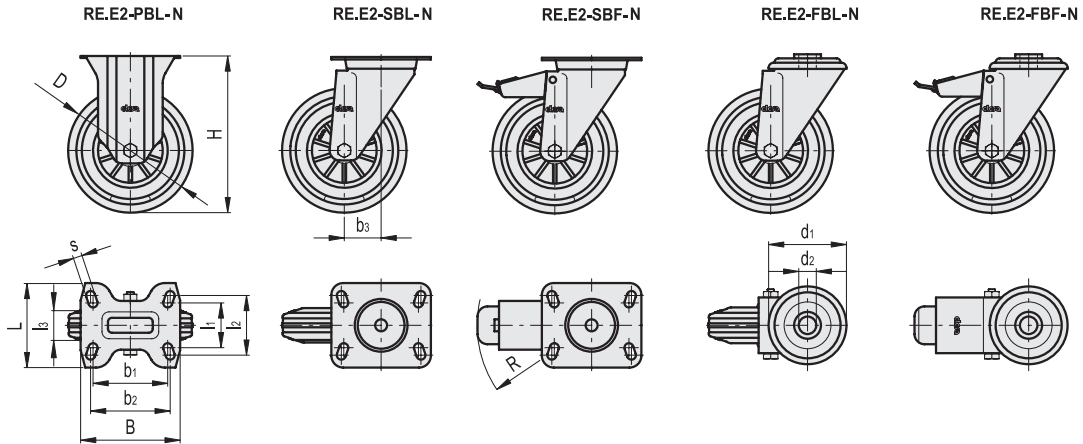
APPLICATIONS

RE.E2 wheels may be mounted on different kinds of trolleys, with medium-light loads; it is also suitable for outdoor use.

Typical applications: trolleys for industrial moving, for outdoor use also, waste dumpsters.

For further information see RE.E2 on page -.





Code	Description	D	d1	d2	b1	l1	b2	l2	l3	H	B	L	s	b3	R	Rolling resistance# [N]	Dynamic carrying capacity# [N]	⚖️
449651	RE.E2-080-PBL-N	80	-	-	75	45	80	60	25	107	100	85	9	-	-	500	650	360
449656	RE.E2-100-PBL-N	100	-	-	75	45	80	60	30	128	100	85	9	-	-	750	800	480
449661	RE.E2-125-PBL-N	125	-	-	75	45	80	60	37.5	156	100	85	9	-	-	850	1100	710
449666	RE.E2-150-PBL-N	150	-	-	75	45	80	60	40	182	100	85	9	-	-	1000	1300	930
449668	RE.E2-180-PBL-N	180	-	-	105	73	105	85	45	219	140	114	11	-	-	1300	1800	2110
449671	RE.E2-200-PBL-N	200	-	-	105	73	105	85	50	240	140	114	11	-	-	1400	2250	2500
449551	RE.E2-080-SBL-N	80	-	-	75	45	80	60	25	107	100	85	9	40	-	500	650	640
449556	RE.E2-100-SBL-N	100	-	-	75	45	80	60	30	128	100	85	9	35	-	750	800	730
449561	RE.E2-125-SBL-N	125	-	-	75	45	80	60	37.5	156	100	85	9	37	-	850	1100	1060
449566	RE.E2-150-SBL-N	150	-	-	75	45	80	60	40	182	100	85	9	34	-	1000	1300	1310
449568	RE.E2-180-SBL-N	180	-	-	105	73	105	87	45	219	140	110	11	56	-	1300	1800	2400
449571	RE.E2-200-SBL-N	200	-	-	105	73	105	87	50	240	140	110	11	56	-	1400	2250	2720
449601	RE.E2-080-SBF-N	80	-	-	75	45	80	60	25	107	100	85	9	40	120	500	650	820
449606	RE.E2-100-SBF-N	100	-	-	75	45	80	60	30	128	100	85	9	35	120	750	800	880
449611	RE.E2-125-SBF-N	125	-	-	75	45	80	60	37.5	156	100	85	9	37	120	850	1100	1200
449616	RE.E2-150-SBF-N	150	-	-	75	45	80	60	40	182	100	85	9	34	120	1000	1300	1450
449618	RE.E2-180-SBF-N	180	-	-	105	73	105	87	45	219	140	110	11	56	156	1300	1800	2690
449621	RE.E2-200-SBF-N	200	-	-	105	73	105	87	50	240	140	110	11	56	156	1400	2250	3000
449701	RE.E2-080-FBL-N	80	73	12	-	-	-	-	25	107	-	-	-	40	-	500	650	550
449706	RE.E2-100-FBL-N	100	73	12	-	-	-	-	30	128	-	-	-	35	-	750	800	680
449711	RE.E2-125-FBL-N	125	73	12	-	-	-	-	37.5	156	-	-	-	37	-	850	1100	960
449716	RE.E2-150-FBL-N	150	73	12	-	-	-	-	40	182	-	-	-	34	-	1000	1300	1250
449718	RE.E2-180-FBL-N	180	102	20	-	-	-	-	45	214	-	-	-	56	-	1300	1800	2280
449721	RE.E2-200-FBL-N	200	102	20	-	-	-	-	50	236	-	-	-	56	-	1400	2250	2620
449751	RE.E2-080-FBF-N	80	73	12	-	-	-	-	25	107	-	-	-	40	120	500	650	680
449756	RE.E2-100-FBF-N	100	73	12	-	-	-	-	30	128	-	-	-	35	120	750	800	750
449761	RE.E2-125-FBF-N	125	73	12	-	-	-	-	37.5	156	-	-	-	37	120	850	1100	1100
449766	RE.E2-150-FBF-N	150	73	12	-	-	-	-	40	182	-	-	-	34	120	1000	1300	1390
449768	RE.E2-180-FBF-N	180	102	20	-	-	-	-	45	214	-	-	-	56	156	1300	1800	2570
449771	RE.E2-200-FBF-N	200	102	20	-	-	-	-	50	236	-	-	-	56	156	1400	2250	2910

For rolling resistance and dynamic carrying capacity see Technical data on page -.

