

Castors with stainless steel bracket

Technopolymer

WHEEL BODY

Polyamide based (PA) technopolymer.

ROLLING ACTION

Hub with pass-through hole.

FIXED PLATE BRACKET

AISI 304 stainless steel sheet, the bracket is designed to withstand loads up to 3000N.

TURNING PLATE BRACKET

AISI 304 stainless steel sheet, the bracket is designed to withstand loads up to 3000N. The presence of a double ball race and direct contact between the plate and the ball race ring with built-in pin ensure excellent manoeuvrability. Does not require maintenance. It consists of (see Fig.1):

1. fitting plate: AISI 304 stainless steel sheet;
2. fork: AISI 304 stainless steel sheet;
3. ball race ring: AISI 304 stainless steel sheet;
4. central pin: incorporated in the plate, cold reflanged;
5. rotation system: dual grease-lubricated ball race;
6. dust seal: RAL 7015 dark grey technopolymer, available only for SBL and SBF executions.

BRAKE

Total brake that locks the wheel and bracket rotation. The optimised dimensions and the retractable pedal ensure minimal space occupied and maximum actuation ease. Stainless steel spring.

STANDARD EXECUTIONS

- **PBL**: fixed plate bracket, without brake.
- **SBL**: turning plate bracket, without brake.
- **SBF**: turning plate bracket, with brake.
- **FBL**: turning plate bracket and centre pass-through hole, without brake.
- **FBF**: turning plate bracket and centre pass-through hole, with brake.

APPLICATIONS

Excellent wear and tearing resistance. For further information see wheel technical data sheet RE.F8 (see page).

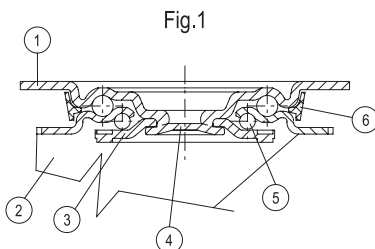
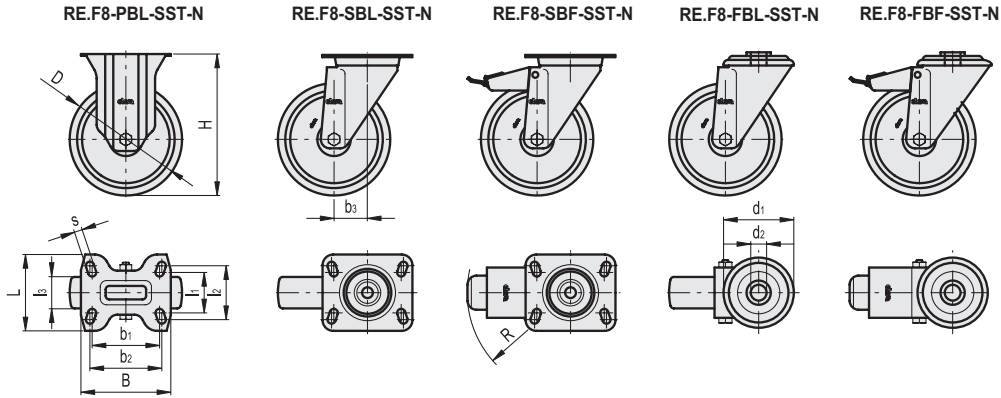


Fig.1



RE.F8-PBL-SST-N

STAINLESS STEEL

| Code | Description | D | l ₁ | l ₂ | l ₃ | H | B | L | s | b ₁ | b ₂ | Rolling resistance# [N] | Dynamic carrying capacity# [N] | ⚖️ |
|--------|---------------------|-----|----------------|----------------|----------------|-----|-----|-----|----|----------------|----------------|-------------------------|--------------------------------|------|
| 450801 | RE.F8-080-PBL-SST-N | 80 | 45 | 60 | 30 | 107 | 100 | 85 | 9 | 75 | 80 | 1500 | 1800 | 290 |
| 450806 | RE.F8-100-PBL-SST-N | 100 | 45 | 60 | 30 | 128 | 100 | 85 | 9 | 75 | 80 | 1750 | 2000 | 360 |
| 450811 | RE.F8-125-PBL-SST-N | 125 | 45 | 60 | 38 | 156 | 100 | 85 | 9 | 75 | 80 | 2000 | 2200 | 630 |
| 450813 | RE.F8-150-PBL-SST-N | 150 | 73 | 80 | 45 | 194 | 140 | 114 | 11 | 105 | 105 | 2500 | 3000 | 1350 |
| 450816 | RE.F8-200-PBL-SST-N | 200 | 73 | 80 | 50 | 240 | 140 | 114 | 11 | 105 | 105 | 3150 | 3000 | 1740 |

RE.F8-SBL-SST-N

STAINLESS STEEL

| Code | Description | D | l ₁ | l ₂ | l ₃ | H | B | L | s | b ₁ | b ₂ | b ₃ | Rolling resistance# [N] | Dynamic carrying capacity# [N] | ⚖️ |
|--------|---------------------|-----|----------------|----------------|----------------|-----|-----|-----|----|----------------|----------------|----------------|-------------------------|--------------------------------|------|
| 450701 | RE.F8-080-SBL-SST-N | 80 | 45 | 60 | 30 | 107 | 100 | 85 | 9 | 75 | 80 | 40 | 1500 | 1800 | 550 |
| 450706 | RE.F8-100-SBL-SST-N | 100 | 45 | 60 | 30 | 128 | 100 | 85 | 9 | 75 | 80 | 35 | 1750 | 2000 | 610 |
| 450711 | RE.F8-125-SBL-SST-N | 125 | 45 | 60 | 38 | 156 | 100 | 85 | 9 | 75 | 80 | 37 | 2000 | 2200 | 780 |
| 450713 | RE.F8-150-SBL-SST-N | 150 | 73 | 80 | 45 | 194 | 140 | 110 | 11 | 105 | 105 | 56 | 2500 | 3000 | 1650 |
| 450716 | RE.F8-200-SBL-SST-N | 200 | 73 | 80 | 50 | 240 | 140 | 110 | 11 | 105 | 105 | 56 | 3150 | 3000 | 2015 |

RE.F8-SBF-SST-N

STAINLESS STEEL

| Code | Description | D | l ₁ | l ₂ | l ₃ | H | B | L | s | b ₁ | b ₂ | b ₃ | R | Rolling resistance# [N] | Dynamic carrying capacity# [N] | ⚖️ |
|--------|---------------------|-----|----------------|----------------|----------------|-----|-----|-----|----|----------------|----------------|----------------|-----|-------------------------|--------------------------------|------|
| 450751 | RE.F8-080-SBF-SST-N | 80 | 45 | 60 | 30 | 107 | 100 | 85 | 9 | 75 | 80 | 40 | 120 | 1500 | 1800 | 730 |
| 450756 | RE.F8-100-SBF-SST-N | 100 | 45 | 60 | 30 | 128 | 100 | 85 | 9 | 75 | 80 | 35 | 120 | 1750 | 2000 | 760 |
| 450761 | RE.F8-125-SBF-SST-N | 125 | 45 | 60 | 38 | 156 | 100 | 85 | 9 | 75 | 80 | 37 | 120 | 2000 | 2200 | 950 |
| 450763 | RE.F8-150-SBF-SST-N | 150 | 73 | 80 | 45 | 194 | 140 | 110 | 11 | 105 | 105 | 56 | 156 | 2500 | 3000 | 1935 |
| 450766 | RE.F8-200-SBF-SST-N | 200 | 73 | 80 | 50 | 240 | 140 | 110 | 11 | 105 | 105 | 56 | 156 | 3150 | 3000 | 2300 |

RE.F8-FBL-SST-N

STAINLESS STEEL

| Code | Description | D | d ₁ | d ₂ | l ₃ | H | b ₃ | Rolling resistance# [N] | Dynamic carrying capacity# [N] | ⚖️ |
|--------|---------------------|-----|----------------|----------------|----------------|-----|----------------|-------------------------|--------------------------------|------|
| 450851 | RE.F8-080-FBL-SST-N | 80 | 73 | 12 | 30 | 107 | 40 | 1500 | 1800 | 550 |
| 450856 | RE.F8-100-FBL-SST-N | 100 | 73 | 12 | 30 | 128 | 35 | 1750 | 2000 | 610 |
| 450861 | RE.F8-125-FBL-SST-N | 125 | 73 | 12 | 38 | 156 | 37 | 2000 | 2200 | 780 |
| 450863 | RE.F8-150-FBL-SST-N | 150 | 102 | 20 | 45 | 188 | 56 | 2500 | 3000 | 1447 |
| 450866 | RE.F8-200-FBL-SST-N | 200 | 102 | 20 | 50 | 236 | 56 | 3150 | 3000 | 1930 |

RE.F8-FBF-SST-N

STAINLESS STEEL

| Code | Description | D | d ₁ | d ₂ | l ₃ | H | b ₃ | R | Rolling resistance# [N] | Dynamic carrying capacity# [N] | ⚖️ |
|--------|---------------------|-----|----------------|----------------|----------------|-----|----------------|-----|-------------------------|--------------------------------|------|
| 450901 | RE.F8-080-FBF-SST-N | 80 | 73 | 12 | 30 | 107 | 40 | 120 | 1500 | 1800 | 730 |
| 450906 | RE.F8-100-FBF-SST-N | 100 | 73 | 12 | 30 | 128 | 35 | 120 | 1750 | 2000 | 760 |
| 450911 | RE.F8-125-FBF-SST-N | 125 | 73 | 12 | 38 | 156 | 37 | 120 | 2000 | 2200 | 950 |
| 450913 | RE.F8-150-FBF-SST-N | 150 | 102 | 20 | 45 | 188 | 56 | 156 | 2500 | 3000 | 1752 |
| 450916 | RE.F8-200-FBF-SST-N | 200 | 102 | 20 | 50 | 236 | 56 | 156 | 3150 | 3000 | 2215 |

For rolling resistance and dynamic carrying capacity see Technical data (on page).

