

## Castors with adjustable foot

Steel support, injected polyurethane coating

### COVERING

Injected polyurethane, hardness 55 Shore D.

### WHEEL BODY

Polyamide based (PA) technopolymer.

### ROLLING ACTION

Hub with pass-through hole.

### TURNING PLATE BRACKET

Zinc-plated steel sheet, the bracket is designed to withstand loads up to 2200N.

The presence of a double ball race and direct contact between the plate and the ball race ring with built-in pin ensure excellent manoeuvrability.

Does not require maintenance.

It consists of (see Fig.1):

1. fitting plate: electrolytically zinc-plated steel plate;
2. fork: electrolytically zinc-plated steel plate;
3. ball race ring: electrolytically zinc-plated steel plate;
4. central pin: incorporated in the plate, cold reflanged;
5. rotation system: dual grease-lubricated ball race;
6. dust seal: RAL 7015 dark grey technopolymer.

### ADJUSTABLE FOOT

Glass-fibre reinforced polyamide based (PA) technopolymer, black colour, matte finish.

Threaded stem with nut, joint and adjusting hexagon in polished zinc-plated steel.

NBR rubber no-slip disk, hardness 70 Shore A, supplied assembled to the base.

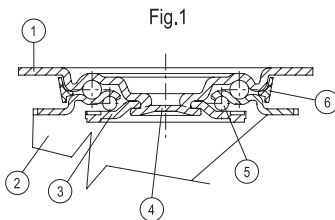
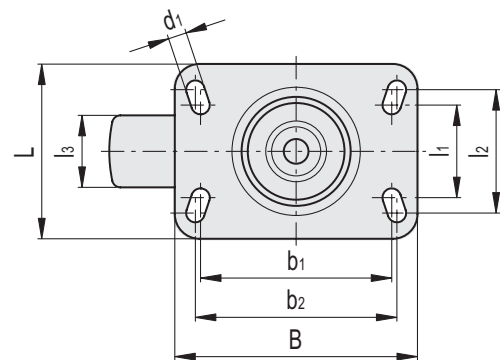
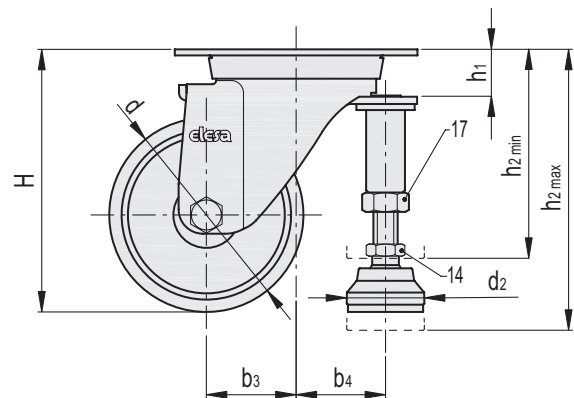
### APPLICATIONS

Excellent rolling resistance and elasticity features, good wear and tearing resistance.

The wheel with non-slip foot makes it possible to lift trolleys or machinery in order to operate safely, while at the same time guaranteeing the possibility of making frequent movements by simply adjusting the hexagon of the foot, effectively transforming fixed workstations and work equipment into mobile workstations.

The non-slip disc provides the structure with greater stability.

For further information see wheel technical data sheet RE.FF.



Code	Description	d	d <sub>1</sub>	d <sub>2</sub>	l <sub>1</sub>	l <sub>2</sub>	l <sub>3</sub>	H	B	L	b <sub>1</sub>	b <sub>2</sub>	b <sub>3</sub>	b <sub>4</sub>	h <sub>1</sub>	h <sub>2 min</sub>	h <sub>2 max</sub>	Rolling resistance# [N]	Dynamic carrying capacity# [N]	
451581	RLE.FF-080-SBP-AS-N	80	9	32	45	60	30	107	100	85	75	80	40	37	20	95	115	1200	1200	800
451583	RLE.FF-100-SBP-AS-N	100	9	32	45	60	30	128	100	85	75	80	35	37	20	118	140	1700	1700	870
451585	RLE.FF-125-SBP-AS-N	125	9	32	45	60	35	157	100	85	75	80	37	43	20	150	172	2300	2200	1100

# For rolling resistance and dynamic carrying capacity see Technical Data.